

MODEL

HAZARD MARKING AND LIGHTING

SAFELY AND EASILY MARK CLOSED RUNWAYS, TAXIWAYS AND AIRFIELD HAZARDS WITH CARMANAH'S FAA COMPLIANT, LOW-PROFILE SAFETY BARRICADE LIGHTS. OUR PORTABLE MAT DESIGN BRINGS TRUE FLEXIBILITY TO YOUR AIRFIELDS AND KEEPS HAZARD MARKING SIMPLE AND QUICK.

Carmanah's self-contained solar lights and rubber matting provide a reliable hazard marking solution for identifying closed runways, manholes, construction zones, and other dangerous airfield obstacles. Our low-profile design uses durable, environmentally-friendly rubber matting that is strong enough to withstand most prop wash, jet blast and other wind currents while supporting virtually any layout even on rugged terrain. Optional mounting stakes may be used for extreme wind current conditions.

When used for hazard marking, Carmanah lights and mats clearly delineate construction areas from aircraft operating areas. They also provide a simple but tough alternative mounting solution for runway lights to expedite temporary or tactical airfield operations.

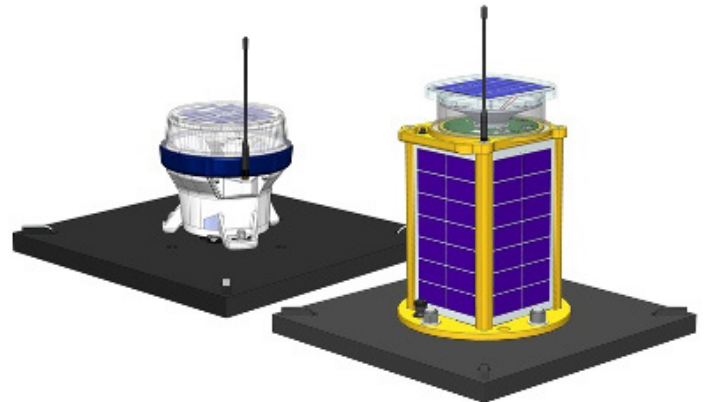
The matting supports any 600 or 700 series Carmanah light for:

- Peak intensity over 50 cd (red)
- Dawn to dusk operation up to 10 cd*
- Flashing and steady burning light
- Yellow, red, blue or white light
- Visible or IR light
- 360° visibility
- Optional wireless control

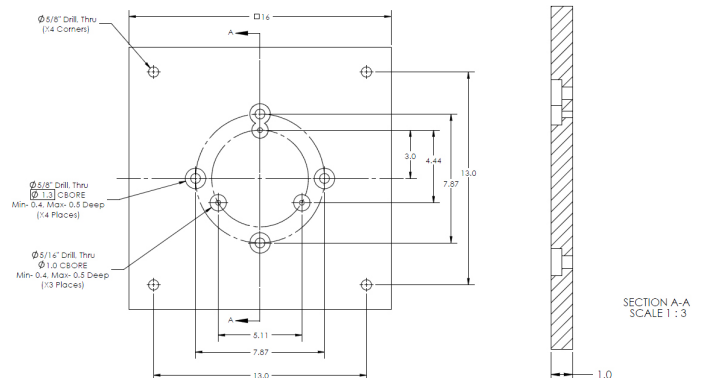
Applications

- Permanent airfields
- Temporary airfields
- Emergency airfields
- Military and NVG operations

*Unit weight and light output vary by light model selected. Refer to Carmanah's A650, A703, A704 and A705 specification sheets for details.



MAT SPECIFICATIONS	
Material	Silicone-free, recycled rubber
Weight	5 kg (11 lbs)
Compatibility	Suitable for any 600 or 700 series light
DIMENSIONS	



Carmanah is backed by a worldwide network of distributors. To find yours visit www.carmanah.com or call +1.250.380.0052 (toll-free US & Canada 1.877.722.8877) REPRESENTED BY: