



MODEL

ALS

APPROACH LIGHTING SYSTEM

Carmanah's Approach Lighting System (ALS) provides visual information on runway alignment, height perception, roll guidance, and horizontal references. It is critical during the transition from instrument flight to visual flight for landing. The ALS system is flexible and extensible and may be radio controlled for ease of use.

Applications

- Permanent airfields
- Temporary airfields
- Emergency airfields
- Military deployment

Standards

ALS is compliant with international standards for approach light systems. Operational requirements will dictate ALS' sophistication and configuration for a particular runway – a wide variety of configurations are available. Layouts include but are not limited to:

- ICAO*
 - Simple Approach Lighting Systems
 - Precision Approach Lighting Systems.
- FAA*
 - MALSR
 - MALS
 - MALSF
 - ODALS
 - ALSF-2

Power Supply Versatility

ALS can be powered using a variety of sources, depending on customer preferences:

- Grid power
- Solar
- Generator

*Refer to FAA and ICAO for system configurations

THIS INNOVATIVE PRODUCT OFFERS THE ULTIMATE IN LIGHTING VERSATILITY:

- VISIBLE AND INFRARED (IR) LIGHT, STEPPED INTENSITIES
- PORTABLE OR FIXED INSTALLATION
- DESIGNED TO MEET BOTH FAA, ICAO AND UFC PHOTOMETRICS
- EASILY CONFIGURABLE TO MANY USES
- SOLAR, AC AND BATTERY OPTIONS
- RADIO CONTROLLED OR HAND HELD CONTROLLER

Steady-burning barrette with solar power supply



Sequenced flasher with solar power supply



Carmanah is backed by a worldwide network of distributors. To find yours visit www.carmanah.com or call +1.250.380.0052 (toll-free US & Canada 1.877.722.8877)

REPRESENTED IN YOUR REGION BY:



Optional Handheld Controller



Sequenced Flasher

2.5 mile (4km) control range
900 MHz FHSS with encrypted signal
Intensity control

MODEL

ALS

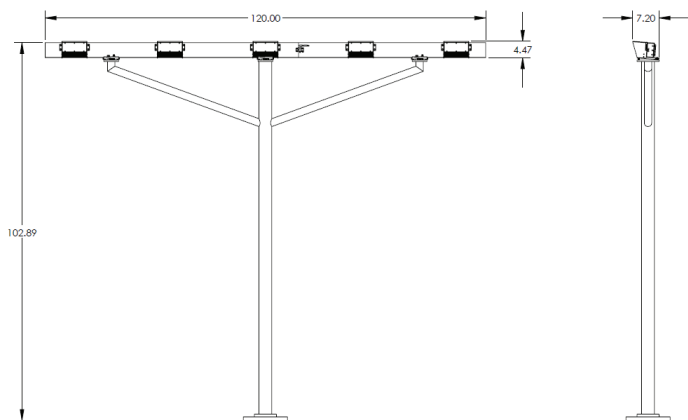
APPROACH LIGHTING SYSTEM

SPECIFICATIONS

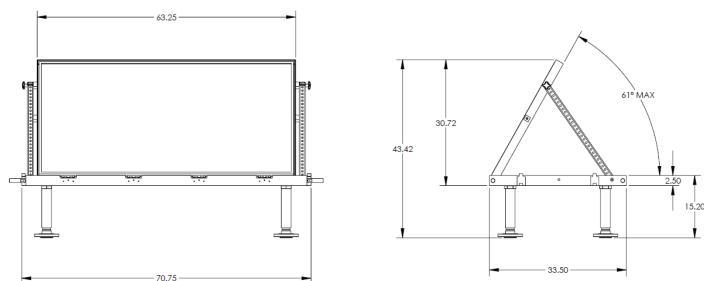
Optical	High-power LEDs with proper heat management ensure consistent photometrics for life of product
	NVG-compatible infrared (IR) LEDs
	FAA MALSRS compliant
	ICAO Annex 14
	UFC 3-535-01 MALSRS compliant
Power Options	Solar kit: Solar panels and mounting, batteries and enclosures; air transportable container; AC input for backup
	Generator kit: Gas or diesel generator; AC input for backup
	Battery kit: Batteries & enclosures; AC input for backup
	AC only: 100 – 240 VAC 50/60 Hz; 3 and 5-step current input
Control Options	Non-Wireless: Multi step current control
	Wireless: 2.5 mile (4 km) control range with optional Handheld Controller; local control
Construction	Powdercoated aluminum chassis with integrated handles
	Aviation orange standard, yellow and other colors available
	Stainless steel and anodized aluminum hardware
Temperature	-31 to 131 °F (-35 to 55 °C) ambient
Wind Loading	300 mph (134 m/s)
Ingress	NEMA 4 & EN 60529 IP 55

DIMENSIONS

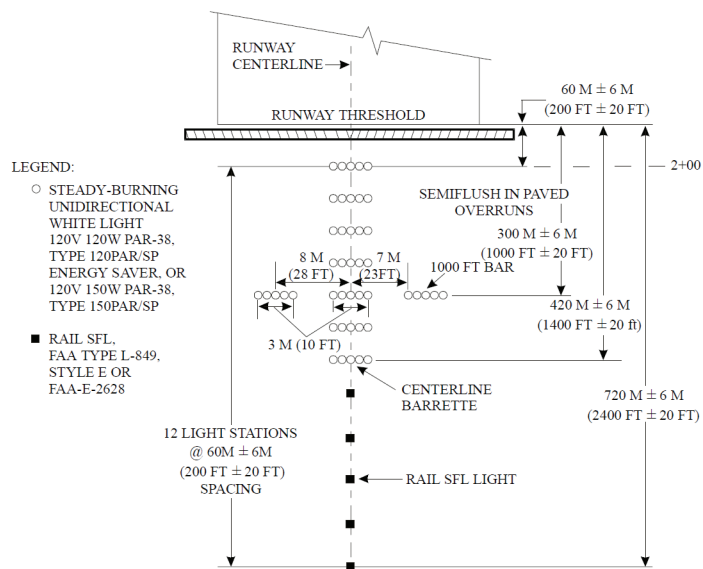
STEADY BURNING BARRETTE



SOLAR SYSTEM

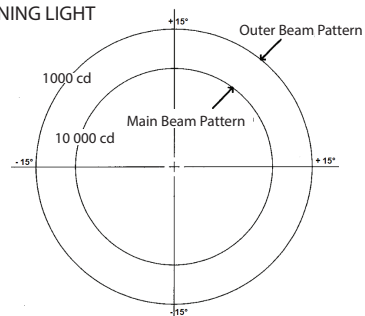


MALSRS CONFIGURATION

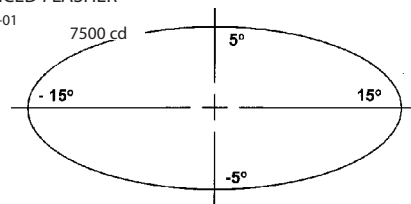


PHOTOMETRICS

STEADY BURNING LIGHT UFC 3-535-01



SEQUENCED FLASHER UFC 3-535-01



CONFIGURATION

MODEL	SIZE ▼	MOUNTING ▼	OUTPUT ▼	POWER ▼	CONTROL ▼
ALS	FAA MALSRS UFC MALSRS ICAO ALS CUSTOM	PERMANENT PORTABLE	VISIBLE VISIBLE / IR	SOLAR KIT GENERATOR KIT BATTERY KIT AC	NON-WIRELESS WIRELESS

Specifications may be subject to change. Carmanah is a Canadian public corporation - TSX:CMH
© 2012, Carmanah Technologies Corp. Document:AVIA-ALS-RevB D-029