



carmanah®
we put solar to work

MODEL

HELI KIT

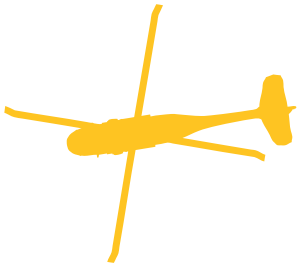
DEPLOYABLE HELIPAD LIGHTING SOLUTIONS

CARMANAH TECHNOLOGIES INTRODUCES THE SOLAR-POWERED HELIPAD KIT; THE FIRST COMPREHENSIVE AND CONFIGURABLE, STAND-ALONE WIRELESS HELIPAD LIGHT AND VISUAL NAVIGATIONAL AID SYSTEM.

- **Easy deployment, installation and relocation:** solar-powered components install rapidly; eliminating the need for trenching, cabling or accessing external power.
- **Versatile:** users include commercial heliports, armed forces, emergency medical services, fire departments, hospitals and coast guards. Applications include MEDEVAC, humanitarian response, search and rescue, military resupply, troop insertion and extraction, forward arming and refuel points (FARPs).
- **Stand-Alone and Self-Contained:** Helipad kit components are extremely durable, rugged, and vandal and theft resistant.
- **Wireless control and Infrared mode:** The Helipad kit can be remotely activated within a 4 km (2.5 mile) range. The Handheld Controller (HHC) features password protection to ensure secure control of the system, direct linkage between controller and system using UCS data, ability to switch between visible and infrared modes, modify intensity levels, and turn lights on and off.
- **Unprecedented Reliability:** microprocessor Energy Management System (EMS) monitors and adapts to environmental conditions for consistent operation and up to five years life span under the toughest conditions.
- **Complete solution:** The Carmanah Helipad Kit consists of everything needed to improve the safety and visibility of virtually any size of ground, rooftop, offshore or remote helipad, including: wirelessly controlled solar-powered perimeter lights, approach lights, ID and obstruction beacons, windcone, directional signs, wireless handheld controllers and all of the mounting and deploying hardware required therein. In addition, helipad operation training, system maintenance training, and system install training can be provided if required.



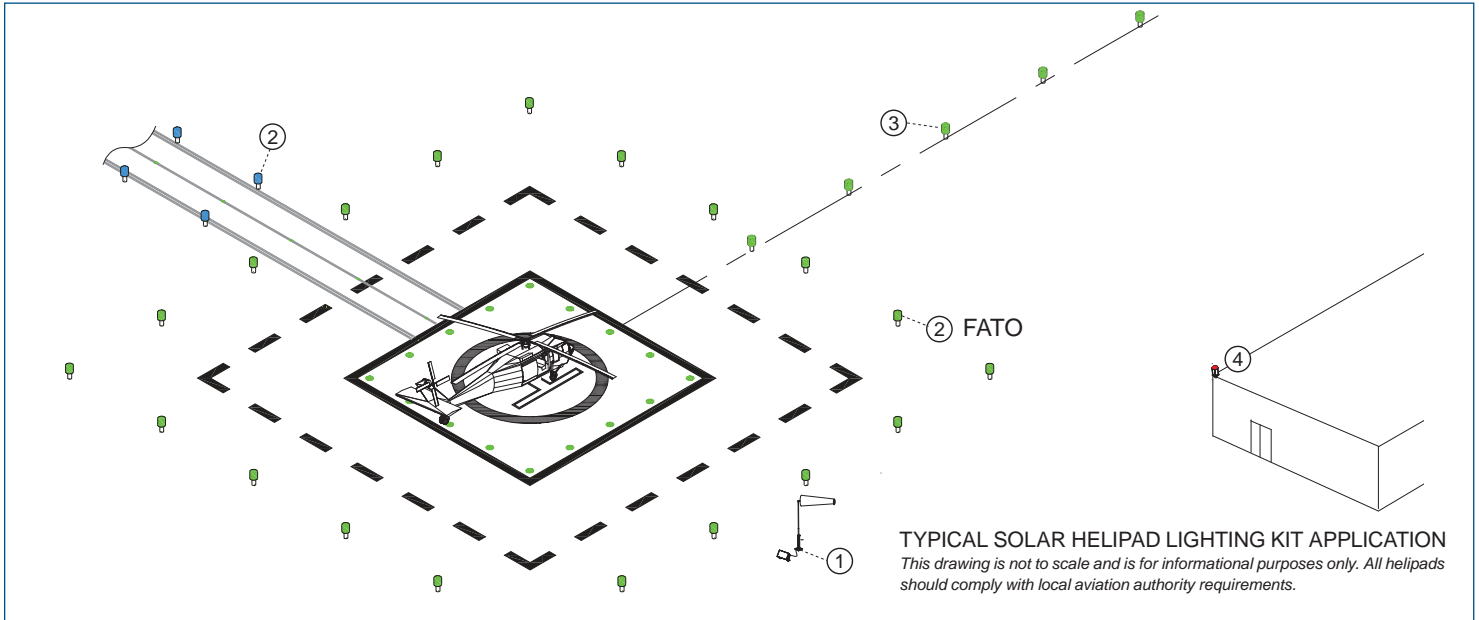
REPRESENTED BY:



MODEL

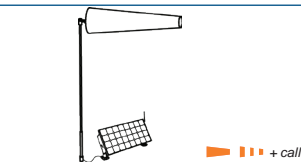
HELI KIT

DEPLOYABLE HELIPAD LIGHTING SOLUTIONS



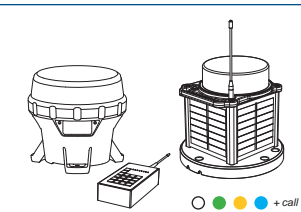
SOLAR HELIPAD LIGHTING KIT DESCRIPTION

1. SOLAR WIND CONE SYSTEM



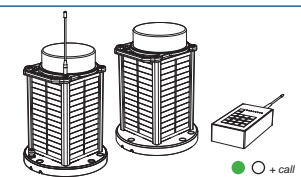
The Solar Wind Cone System consists of a solar-powered wind cone (SWC) and a Solar Engine Power Supply (SEPS). The SWC provides visual surface wind direction and velocity information. SEPS can be controlled using the Wireless Handheld Controller or ARCAL.

2. SOLAR FATO AND TAXIWAY LIGHTS



The A650 / A704 are robust and versatile portable lights suitable for raised FATO or taxiway lighting. Available in wireless and non-wireless versions for use with the Wireless Handheld Controller or ARCAL. For detailed product specifications refer to our website: carmanahaviation.com/helipad

3. SOLAR APPROACH LIGHTS



The Carmanah A704 can be configured for approach lighting including landing direction lights. Featuring a built-in handle, the A704 can be quickly relocated for temporary or emergency applications. Multiple mounting options available. The A704 can be controlled using the Wireless Handheld Controller or ARCAL.

4. SOLAR OBSTRUCTION LIGHTING AND HAZARD MARKERS



The Carmanah OL lighting series provides a selection of FAA and ICAO compliant obstruction lighting solutions and general purpose hazard markers. These fully self-contained lights are simple to install and offer longterm performance without the need for AC power or frequent manual re-charging.

For a complete list of aviation light accessories, including mounting equipment, please visit carmanah.com

Carmanah offers several deployable helipad lighting solutions or can create customized systems to serve unique mission requirements. Key components of each option include visual navigation aids and renowned Carmanah wireless solar-powered airfield lighting technology and wireless solar engine power systems.

When your lighting challenge involves difficult grid power access, or locations which are hard and costly to reach, Carmanah's Helipad Kit offers the best complete lighting and navigation solution. Wireless, off-grid and designed for tough helipad challenges.

The Carmanah team will work with customers to ensure all helipad requirements are fully met. Please contact the Carmanah team if you have additional helipad requirements beyond those described in this publication. Helipad matting, trailers, perimeter security fence lighting, directional signs, heliport taxiway lights, deployable control towers, weather observation systems, tower control and monitoring devices, and other custom solutions may be added.

