

SC 155 II

Self-contained LED Lantern for buoys and minor beacons

SC 155 II a self contained LED lantern for fixed and floating structures. The lantern is complete including solar panels, battery and charge controller. The lantern is designed for harsh marine environment and for long uninterrupted operation.

- Range 7 nm (Tc=0,74)
10 nm (Tc=0,85)
- Standard IALA colours Red, Green, White, Yellow
- Light module of rugged aluminium housing and body of UV resistant polyethylene
- Integrated flasher with day-light switch and solar charger
- Standard VRLA battery or optional NiCd for low temperature areas
- Ventilated battery compartment
- Solar modules with tempered glass in front
- Adjustable intensity and range
- Available with narrow (6°) or wide (10°) vertical divergence
- Programming with a wireless Sabik Easy Programmer, PDA Programmer or PC/USB interface
- Integrated event log for 365 days
- Optionally integrated GPS synchronization
- Optionally integrated GSM Remote monitoring
- Optionally Auxiliary connector for external charger or external Solar Module
- Optionally Primary battery switch



Bird spikes
Stainless steel as standard. Easy to replace. Special spikes for protection against Cormorants on request.



Solar Modules
Solar modules with tempered glass front well integrated with the PE-housing.



GSM
GSM unit and antenna integrated in the lantern for remote monitoring and control. For more information please see the LightGuard Section.



Auxiliary connector
(Optionally) enables external charging or additional solar modules.



VRLA Battery
Maintenance free Lead acid battery with a designed lifetime of 7 years.



NiCd Battery
High quality NiCd battery for use in low temperature areas down to -40 °C with Arctic electrolyte.



Sabik Easy Programmer
User friendly and compact wireless two-way programmer.



PDA Programmer
Wireless two-way communication using a Windows based PDA with infra red port. Flash code, range and photocell switch level etc. can be set. With the Programmer also the event log can be retrieved.

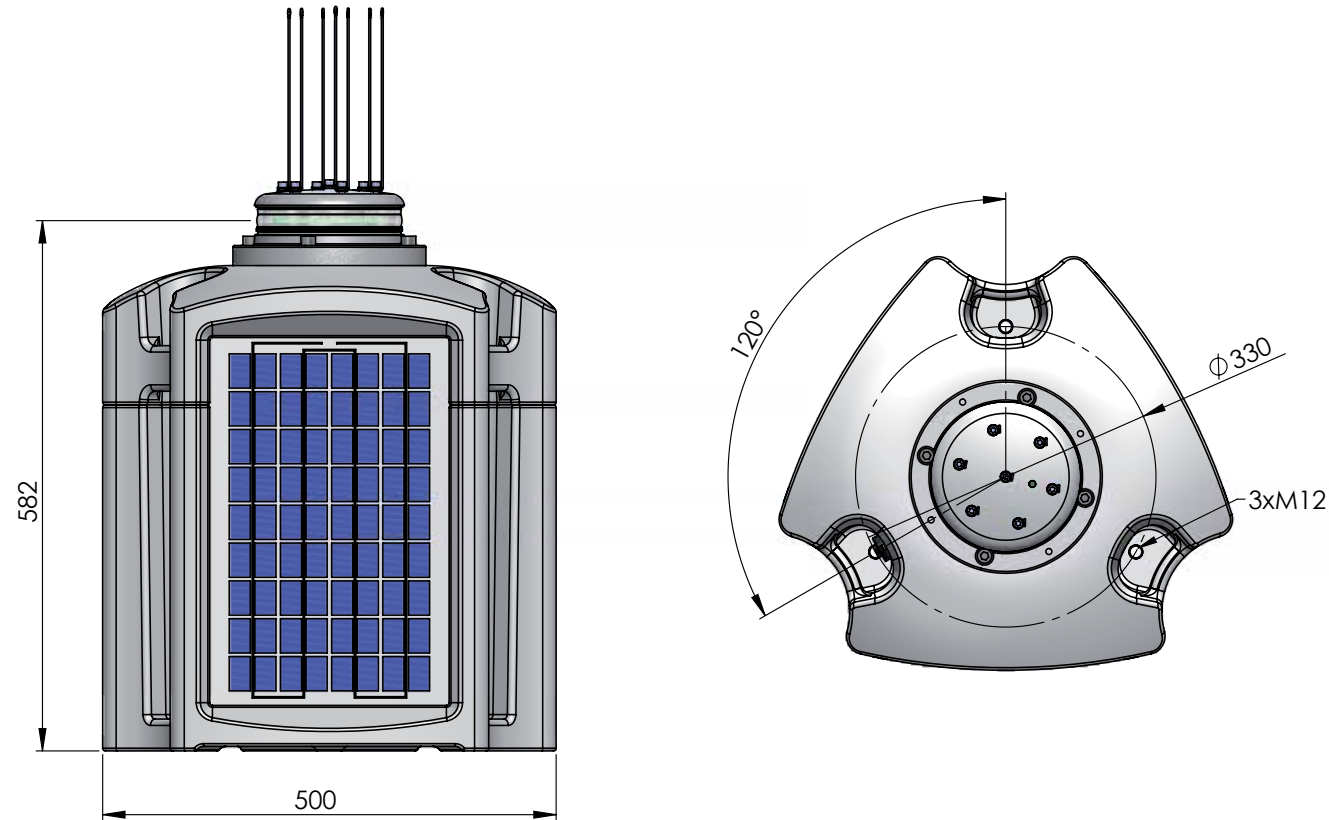


Programming with PC
Using Sabik USB interface.



Installation
the bottom plate of the Led155 supports installation on structure using 3 x M10 bolts on a 330 mm radius.

Technical Specification SC 155 II



Optical performance

| Maximum fixed intensity, narrow lens (fixed structures) | | | | |
|---|--------|--------|--------|--------|
| Simplex, 6 W | 140 cd | 270 cd | 420 cd | 200 cd |

| Maximum fixed intensity, wide lens (floating structures) | | | | |
|--|--------|--------|--------|--------|
| Simplex, 6 W | 120 cd | 180 cd | 250 cd | 100 cd |

Main Technical Specification

| | |
|-----------------------------------|--|
| Lens visual/Mechanical diameter | 160 mm |
| Lens material | UV stabilized Polycarbonate |
| Light source | Light Emitting Diodes (LEDs) |
| Vertical divergence (narrow lens) | 6° @ 50% (±1°) and 10° @ 10% (±2°) of peak intensity |
| Solar modules | 3 x 11 W |
| Battery | VRLA GEL-Type, 60Ah/12V |
| Weight | 37 Kg |
| Overall height | 615 mm |
| Overall width | 510 mm dia. |
| Installation | 3 x M10 on 330 mm dia. |

Order Overview SC 155 II

Option matrix

| | |
|----------------------|---|
| NiCd 45AH | 45 Ah NiCd battery for low temperature areas |
| Aux. Connector | Auxiliary connector for external charger |
| LightGuard GSM | Integrated GSM based monitoring with GSM antenna |
| LightGuard GSM + GPS | Integrated GSM based monitoring with GSM/GPS antennas |
| GPS sync | Integrated GPS sync only unit with GPS antenna in lantern top |
| AIS Type 1 | Integrated AIS Type 1 |
| AIS Type 3 | Integrated AIS Type 3 |

| SC155 II with VRLA Battery | | SC155 II with NiCd Battery | |
|----------------------------|-----------|----------------------------|-----------|
| Red | SC155-2VR | Red | SC155-2CR |
| Green | SC155-2VG | Green | SC155-2CG |
| Yellow | SC155-2VY | Yellow | SC155-2CY |
| White | SC155-2VW | White | SC155-2CW |

| Lens Options | Enclosure Color (if not indicated enclosure will follow the light color) | Additional Options |
|--|--|---|
| N = Narrow (6° @ 50 % of peak intensity) | RD = Red | AUX = Auxiliary Connector for external charger etc. |
| W = Wide (10° @ 50 % of peak intensity) | GN = Green | GPS = Integrated GPS for synchronization and position monitoring. |
| | YL = Yellow | GSM = Integrated LightGuard GSM |
| | GY = Gray | AIS1 = Integrated AIS Typ I |
| | BK = Black | AIS3 = Integrated AIS Typ 3 |

Example: SC155-2VW-W-BK-GPS-GSM

- **SC155-2VW** is the code for SC155 II with VRLA battery and White light color
- **W** is the code for a wide lens
- **BK** is the code for a black enclosure
- **GPS** and **GSM** indicate that GPS and LightGuard GSM should be integrated