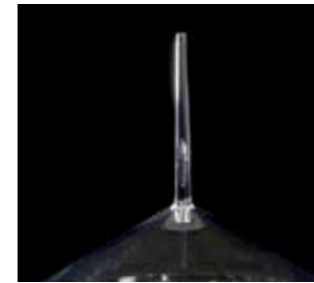


LED 110

Marine LED light for buoys and small beacons

LED 110 is a maintenance free short range LED lantern. Using latest high power LEDs, Sabik intelligent electronics and our specially designed efficient optics, we have been able to achieve an excellent performance for the lantern. LED 110 is produced of polycarbonate for durability and low weight.

- Range 4 nm at Tc = 0.74 (5 nm at Tc = 0.85)
- Standard IALA colours Red, Green, White and Yellow
- Produced of durable polycarbonate plastic
- Integrated flasher with day light switch and a 2 ampere solar panel charger
- Internal calendar, light can be switched off for winter
- Adjustable intensity and range
- Vertical divergence 8° @ 50 % (±1°) of peak intensity
- Programming with a wireless Sabik PDA Programmer or with a PC/USB interface
- Integrated event log (Black box function) for 365 days
- Optionally integrated GPS synchronization
- Optionally integrated GSM remote monitoring



Lens
Bird deterrent top design.



Optical lens
New efficient omnidirectional lens.



PDA Programmer
Wireless two-way communication using a Windows based PDA programmer.



Programming with PC
Using Sabik USB interface.



Sabik Easy Programmer
User friendly and compact wireless two-way programmer.



Cable entry
From side or bottom of the lantern.

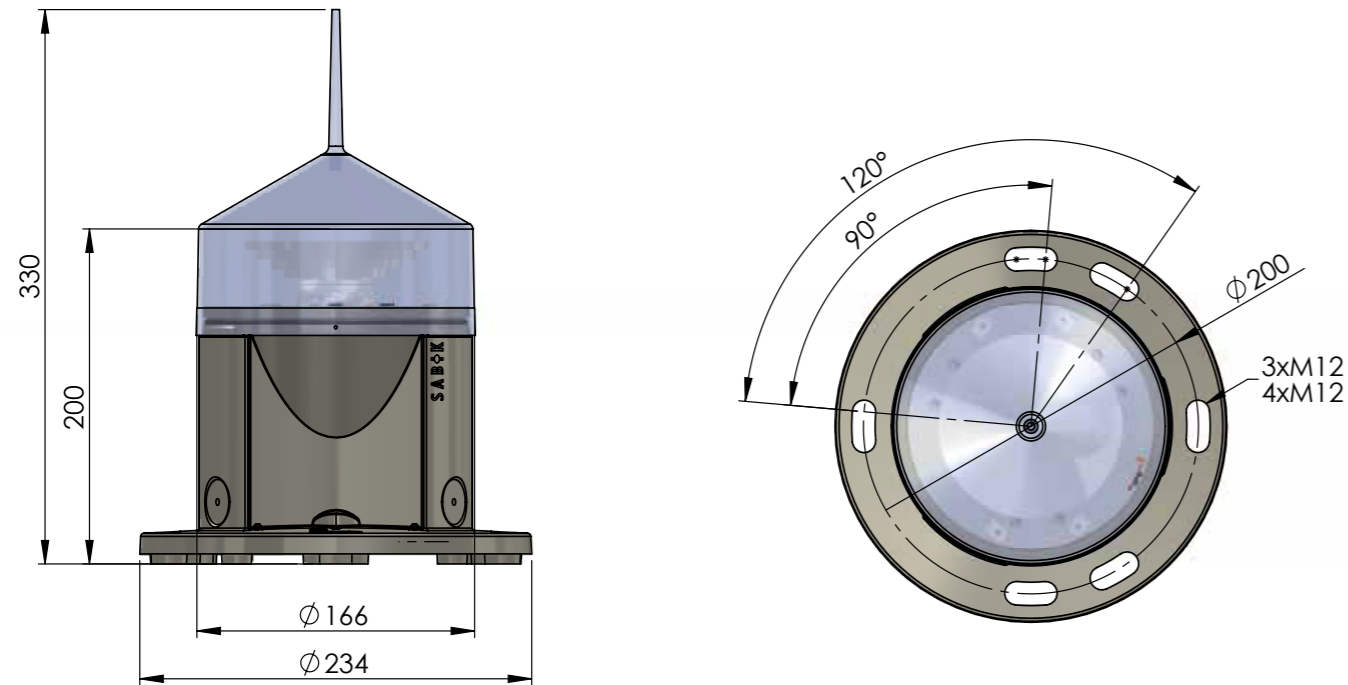


Installation
The bottom plate of the SC 110 supports installation on structure using 3 or 4 x M12 on a 200 mm radius or 3 x M8 on a 150 mm radius.



PTFE breathing
Vent for pressure release in the bottom of the lantern.

Technical Specification LED 110



Optical performance

Maximum fixed intensity

LED 110	30 cd	30 cd	50 cd	30 cd
---------	-------	-------	-------	-------

Main Technical Specification

Lens visual/Mechanical diameter	166 mm
Lens material	UV stabilized Polycarbonate
Body material	UV stabilized Polycarbonate
Light source	High Power Light Emitting Diode (LED)
Vertical divergence	8° @ 50% (±1°) of peak intensity
Unit lifetime	Up to 10 years
Weight	2 kg
Temperature range	-40°...+60°C
Degree of protection	IP 67
Supply Voltage	9 – 30 VDC
Power consumption	Max 1,3 watt

Order Overview LED 110

Option matrix

LightGuard GSM	Integrated GSM based monitoring including GSM antenna
LightGuard GSM + GPS	Integrated GSM based monitoring including GSM/GPS antennas
GPS sync	Integrated GPS sync only unit including GPS antenna
Optical Feedback System	Integrated LED performance measurement
Shock & Tilt Sensor	Integrated 3-axis G sensor for tilt and shock sensing

Product codes

LED 110 wide lens	Colour
LED 110 WW	white
LED 110 WR	red
LED 110 WG	green
LED 110 WY	yellow