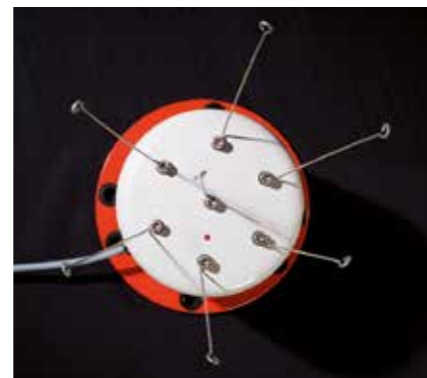
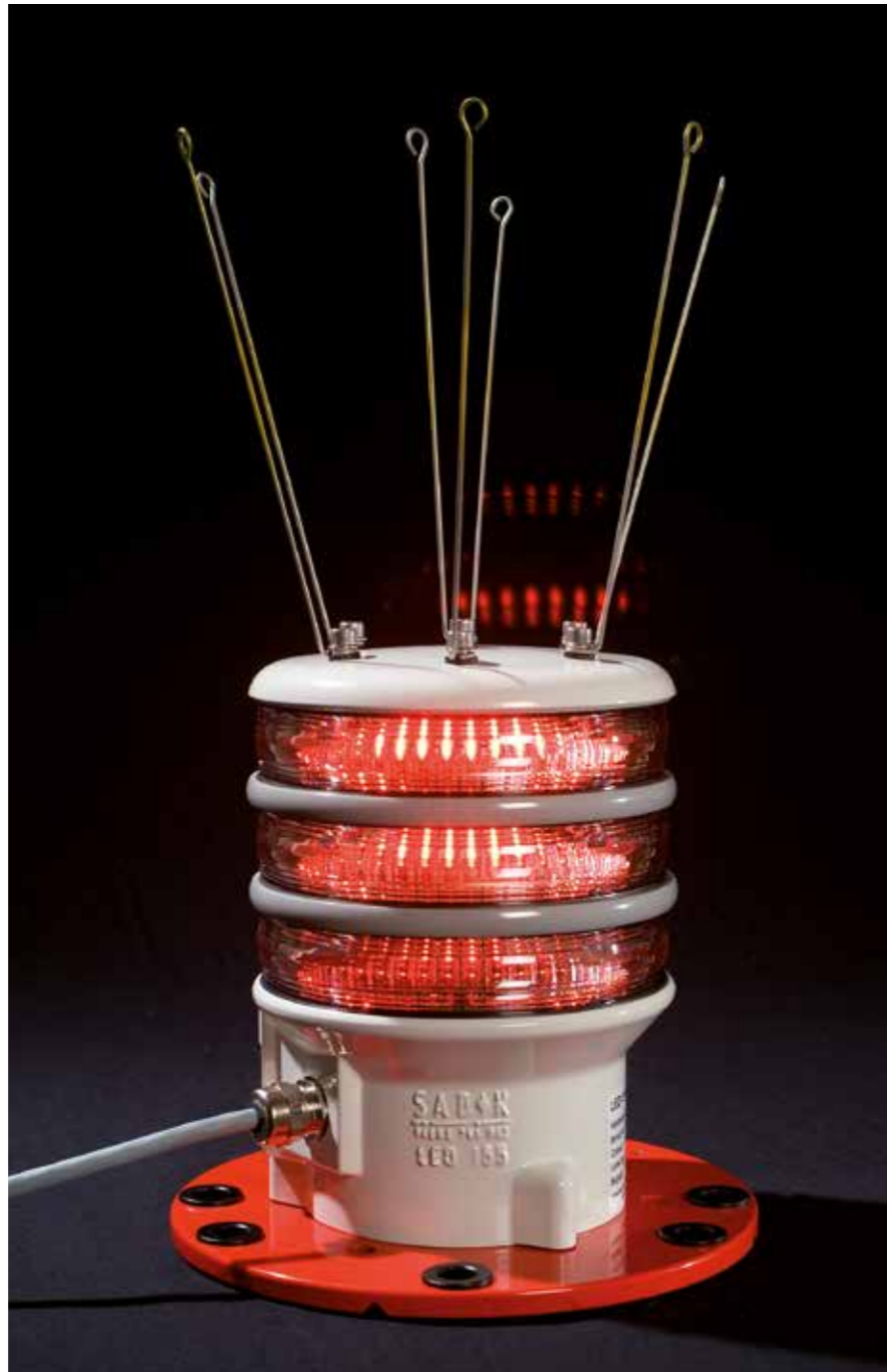


LED 155

Marine LED light for buoys and minor beacons

LED 155 is a general purpose LED lantern commonly used on both fixed and floating structures. The lantern is modular in design. It can be configured with two different vertical divergencies and 1-3 tiers depending on operational requirements.

- Range up to 8 nm at Tc = 0.74 (12 nm at Tc = 0.85)
- Standard IALA colours Red, Green, White, Yellow and Blue/Yellow
- Rugged aluminium housing for installation in harsh marine environments
- Extremely low power consumption, suitable for solar and battery operation
- Integrated flasher with day-night switch
- Integrated 16A solar panel charger using pulse width modulation
- Adjustable intensity and range
- Available with narrow (6°) or wide (10°) vertical divergence
- Programming with any of Sabik wireless programmers
- Integrated event log for 365 days
- Optionally integrated GPS synchronization
- Optionally integrated GSM Remote monitoring



Bird spikes
Stainless steel as standard. Easy to replace. Special spikes for protection against cormorants and other large birds on request.



GPS
GPS unit and antenna integrated in the lantern for wireless synchronization and for position monitoring.



Light Guard GSM
GSM unit and antenna integrated in the lantern for remote monitoring and control.



Additional cable entry
Equipped as standard with two cable entries. If the second entry is needed e.g. for a solar module, a standard M20 cable gland can be fitted.



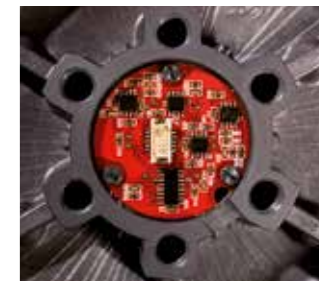
Sabik Easy Programmer
User friendly and compact wireless two-way programmer.



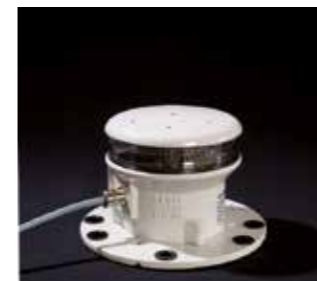
PDA Programmer
Wireless two way infra red communication with Sabik PDA Programmer to set flash code, range, photocell switch level etc. Event log data is also readable with the Programmer.



Installation
The bottom plate supports installation on structure with 3 x M12 bolts on a 200 mm radius. The mounting holes are galvanic isolated with plastic isolators. PTFE breathing vent for pressure release.



OFBS
The Optical Feedback System (OFBS) enables built-in monitoring of LED degradation over time.



Simplex



Duplex



Triplex



White



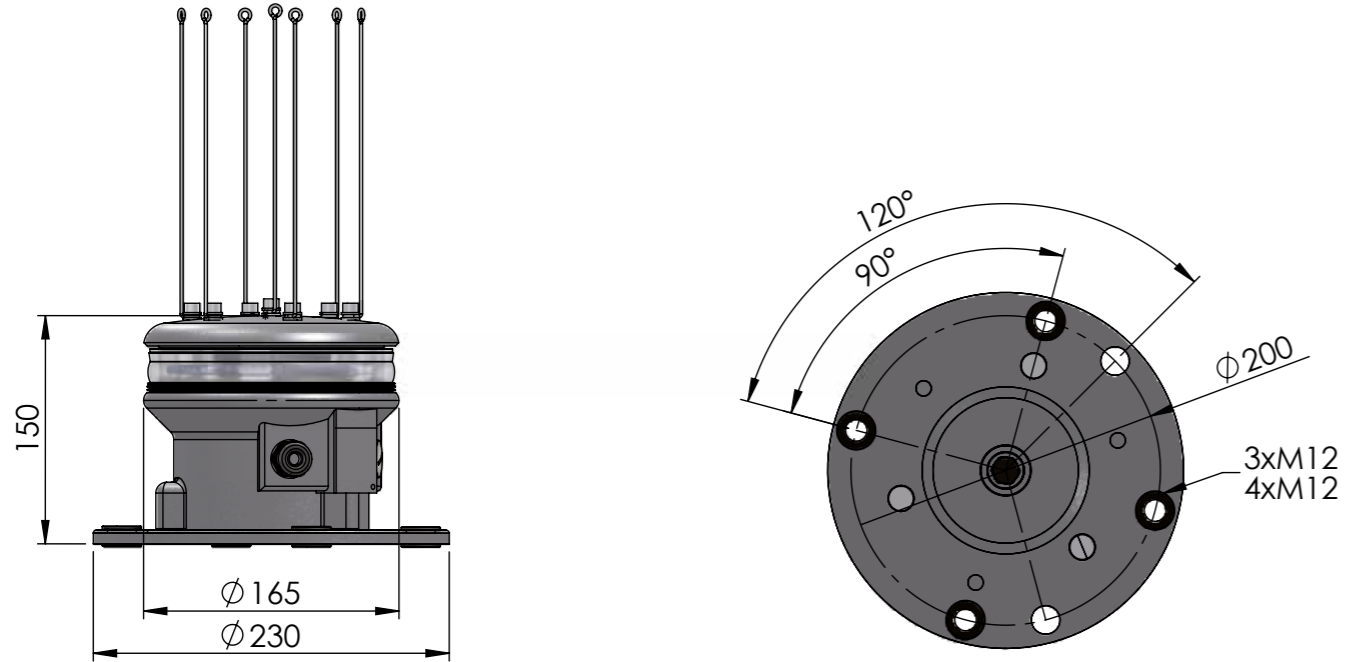
Red



Green



Yellow



Optical performance LED 155

Maximum fixed intensity, narrow lens (fixed structures)				
Simplex, 6 W	140 cd	270 cd	420 cd	200 cd
Duplex, 12 W	266 cd	513 cd	720 cd	380 cd
Triplex, 18 W	392 cd	756 cd	1080 cd	560 cd

Maximum fixed intensity, wide lens (floating structures)				
Simplex, 6 W	120 cd	180 cd	250 cd	100 cd
Duplex, 12 W	228 cd	342 cd	450 cd	190 cd
Triplex, 18 W	336 cd	504 cd	675 cd	280 cd

Optical performance LED 155 B/Y

Maximum fixed intensity		
Nominal 5 W	45 cd	45 cd

Main Technical Specification LED 155

Lens visual/Mechanical diameter	160 mm
Lens material	UV stabilized Polycarbonate
Light source	Light Emitting Diodes (LEDs)
Vertical divergence	6° or 10° @ 50% (±1°) and 10° or 20° @ 10% (±2°) of peak intensity
Unit lifetime	Up to 10 years
Weight	3,9 kg for single tier unit
Temperature range	-40°...+60°C
Supply Voltage	8 – 30 VDC
Solar Panel Charger	16 ampere PWM charger
Power consumption	6 watts / tier
Degree of protection	IP68

Main Technical Specification LED 155 B/Y

Lens visual/Mechanical diameter	160 mm
Lens material	UV stabilized Polycarbonate
Light source	Light Emitting Diodes (LEDs)
Vertical divergence	10° @ 50 % (± 1°) of peak intensity
Unit lifetime	Up to 10 years
Weight	4,2 kg
Temperature range	-40°...+60°C
Supply Voltage	9 – 30 VDC
Power consumption	6 watts

Order Overview LED 155

Option matrix

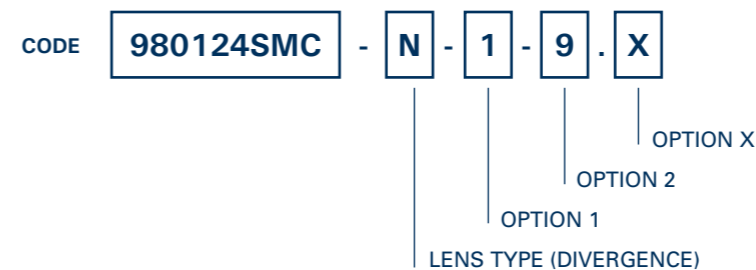
LightGuard GSM	Integrated GSM based monitoring including GSM antenna
LightGuard GSM + GPS	Integrated GSM based monitoring including GSM/GPS antennas
GPS sync	Integrated GPS sync only unit including GPS antenna in lantern top
Optical Feedback System	Integrated LED performance measurement
Shock & Tilt Sensor	Integrated 3-axis G sensor for tilt and shock sensing

Single tier (standard)	Two tiers (duplex)	Three tiers (triplex)
Red 980124SMC	Red 980114SMC	Red 980117SMC
Yellow 980125SMC	Yellow 980119SMC	Yellow 980118SMC
Green 980126SMC	Green 980115SMC	Green 980116SMC
White 980127SMC	White 980132SMC	White 980133SMC

Lens Option	Additional Options (several can be selected)
N = Narrow (6° @ 50 % of peak intensity)	1: Optical Feedback System (OFBS)
W = Wide (10° @ 50 % of peak intensity)	4: GPS sync including integrated GPS antenna
	7: External GPS antenna
	9: LightGuard GSM + GPS (Integrated antennas included)
	10: LightGuard GPS (integrated antennas included)

Product code example: 980124SMC-N-1-9

- **980124** is Sabik code for a single tier LED 155 R
- **N** is the code for a Narrow lens
- **1** stands for the option 1 Optical FeedBack System
- **9** indicates that option 2 Light Guard GSM is chosen



Order Overview LED 155 B/Y

Wreck marking lantern

Option matrix

GPS sync	GPS Synchro unit with GPS antenna integrated in the top of the lantern
----------	--

Product codes

LED-155 BLUE/YELLOW WRECK MARK	980106
--------------------------------	--------