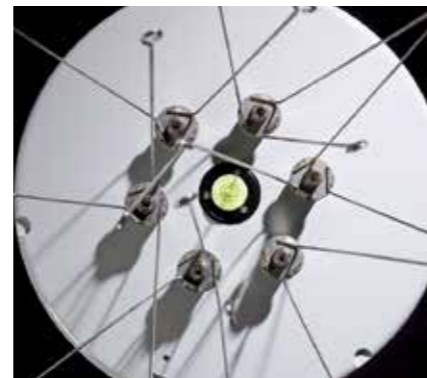


LED 350

High intensity LED light for fixed installations

LED 350 is a high performance omnidirectional LED precision beacon with a range of 15 nautical miles. 10 nm range with white achieved with less than 10 watts.

- **High light efficiency; 175 candela/watt**
- **Supplied with 1-7 tiers, max 14 700 cd luminous intensity white**
- **Standard IALA colours Red, Green, White, Yellow**
- **Rugged aluminium housing for installation in marine environment**
- **Extremely low power consumption, suitable for solar and battery operation**
- **Integrated flasher with day light switch and a 16 ampere solar panel charger**
- **Field adjustable intensity and range**
- **Programming with wireless Sabik Easy Programmer, Sabik PDA Programmer or USB/IR interface**
- **Integrated event log for 365 days**
- **Optionally integrated GPS synchronization**
- **Optionally integrated GSM Remote monitoring**



Bird spikes
Stainless steel bird deterrents as standard. Easy to replace. Offers great protection against large birds like cormorants. Spike design to prevent injury to service technicians.



Level indicator
The lantern can easily be levelled in field using the integrated bubble level indicator.



IR port and photocell
The combined infrared communication port and photocell is located on the base of the lantern.



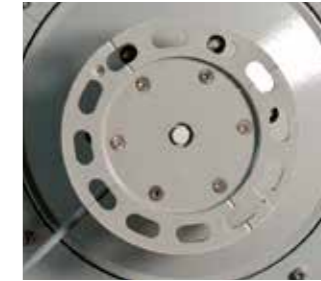
Additional cable entry
Equipped as standard with two cable entries. If the secondary entry is needed e.g. for a solar module standard M20 cable gland can be fitted.



Sabik Easy Programmer
User friendly and compact wireless two-way programmer.



PDA Programmer
Wireless two-way communication using a Windows based PDA with infrared port. Flash code, range and photocell switch level etc. can be set. With the Programmer also the event log can be retrieved.



Installation
The bottom plate of the LED 350 supports installation on structure using 3 x M12 bolts or 4 x M12 bolts on a 200 mm radius.



Grounding plug
The base plate has a grounding plug as standard to enable good protection against electromagnetic interference.



External baffles
The lantern can be optionally supplied with multiple colours using external radial baffles between the colours. This enables warning sectors to be integrated in same lantern.

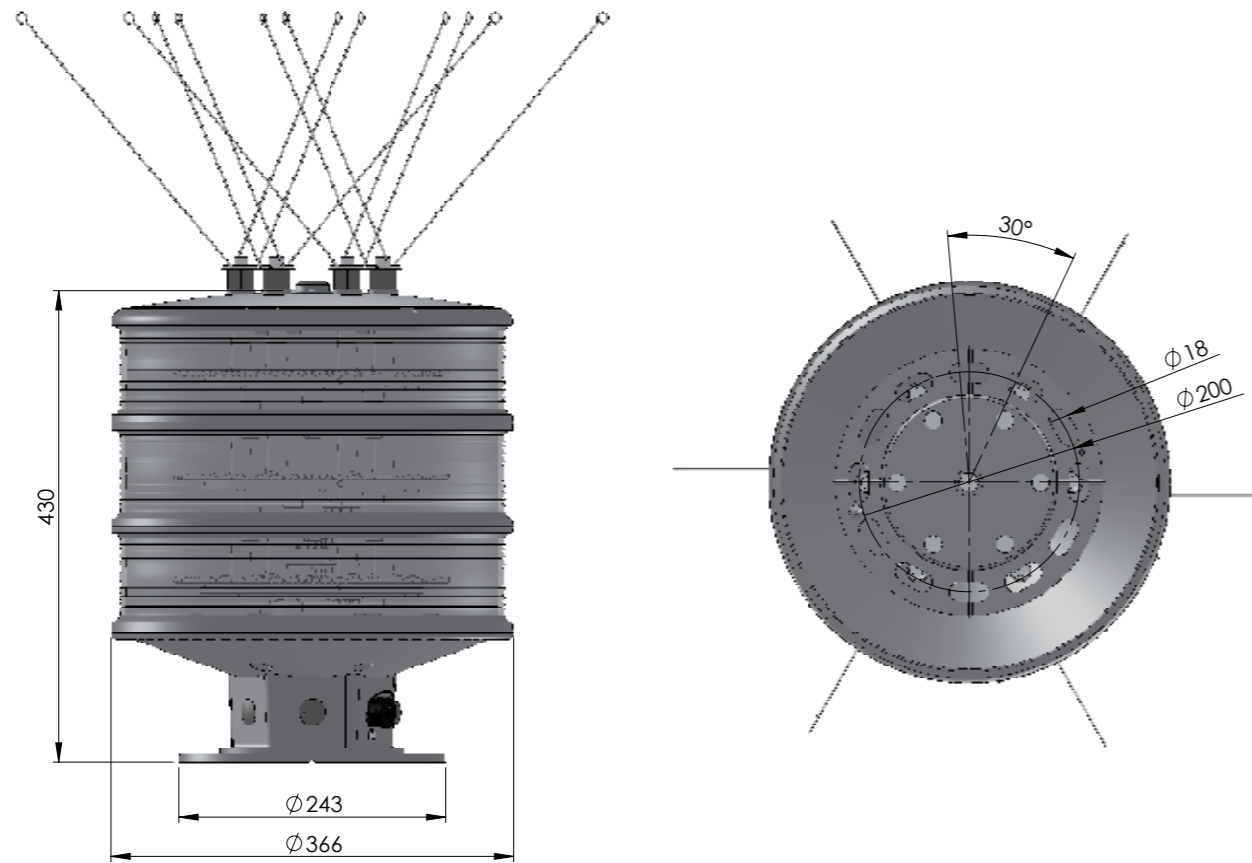


Simplex Combinations
The LED 350 lantern can also be combined with the LED 155 buoy lantern in order to increase short distance visibility.



Triplex
Multiple tiers up to 7 tiers for high intensity.

Technical Specification LED 350



Optical performance

Maximum fixed luminous intensity				
1-tier, 12 W	1.100 cd	1.200 cd	2.100 cd	800 cd
2-tiers, 24 W	2.200 cd	2.400 cd	4.200 cd	1.600 cd
3-tiers, 36 W	3.300 cd	3.600 cd	6.300 cd	2.400 cd
4-tiers, 48 W	4.400 cd	4.800 cd	8.400 cd	3.200 cd
5-tiers, 60 W	5.500 cd	6.000 cd	10.500 cd	4.000 cd
6-tiers, 72 W	6.600 cd	7.200 cd	12.600 cd	4.800 cd
7 tiers, 84 W	7.700 cd	8.400 cd	14.700 cd	5.600 cd

Main Technical Specification

Lens visual/Mechanical diameter	350 mm
Lens material	UV stabilized Polycarbonate
Light source	Light Emitting Diodes (LEDs)
Vertical divergence	1.5° @ 50% (±0.3°) and 3° @ 10% (±0.5°) of peak intensity
Unit lifetime	Up to 10 years
Weight	8 kg for single tier unit, add 2 kg for each tier
Temperature range	-40°...+60°C
Supply Voltage	9 – 30 VDC
Solar Panel Charger	16 ampere PWM charger. Solar production (Ah) is logged
Power consumption	12 watts / tier
Degree of protection	IP 67

Order Overview LED 350

Option matrix

LightGuard GSM	Integrated GSM based monitoring including GSM antenna
LightGuard GSM + GPS	Integrated GSM based monitoring including GSM/GPS antennas
GPS sync	Integrated GPS sync only unit including GPS antenna in lantern top
Optical Feedback System	Integrated LED performance measurement
External baffles	External baffles when unit is supplied with colored sectors

Product codes

LED 350 1 LAYER	LED 350 2 LAYER	LED 350 3 LAYER	LED 350 4 LAYER	LED 350 5 LAYER	LED 350 7 LAYER	Colour
980224	980228	980232	980243	980236	980278	white
980221	980225	980230	980240	980234	980275	red
980223	980227	980233	980242	980235	980277	green
980222	980226	980231	980241	980237	980276	yellow