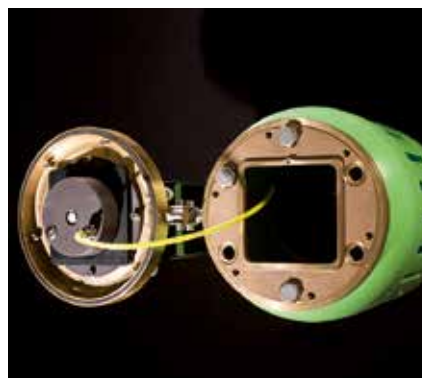


MPV LED

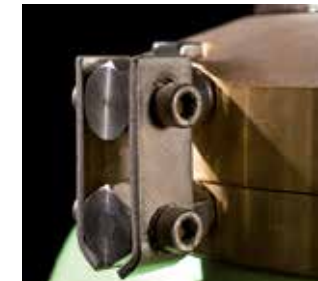
Heavy Duty Ice Buoy LED light

The MPV LED is an LED lantern designed to be used in most severe ice conditions, and is capable of surviving the crushing pressure and dynamic forces of ice in winter conditions

- Rugged bronze alloy housing for installation in harsh marine environments
- Designed to be fully water proof – can withstand submersion down to 100 meters
- Integrates firmly into buoy top – presents a very low profile to lateral forces from ice
- Enables battery replacement through lantern without removing the lantern from buoy
- Visual range from 2 to 6 nautical miles (Tc = 0.74)
- Standard IALA colours Red, Green, White and Yellow
- Extremely low power consumption; ideal for primary battery operation
- Integrated flasher with day light switch
- Adjustable intensity and range
- Configuration and field maintenance with wireless Sabik Easy Programmer, PDA or with a computer
- Integrated 365 day event log
- Optionally integrated GPS synchronization
- Optionally integrated GSM Remote monitoring



Bird spikes
Stainless steel as standard. Easy to replace.



Hinged
The primary battery can be changed easily as hinged flanges allow the lantern to open safely in sea conditions. The lantern acts as the water-proof door to the battery cabin.



Bronze Alloy
The special bronze alloy is corrosion resistant and will survive continuous abuse from moving ice blocks.



Polycarbonate lens
The low profile optical lens is designed to give minimum exposure to ice forces and is supported by the lantern structure sufficient to protect the unit in arctic conditions.



GPS
GPS unit and antenna integrated in the lantern hat for wireless synchronization and for position monitoring. The integrated GPS antenna is moulded and survives ice pressure.



GSM
GSM unit and antenna integrated in the lantern for remote monitoring and control. For more information please see the LightGuard Section.



Additional cable entry
Equipped as standard with two cable entries. If the second entry is needed e.g. for a solar module, a standard M20 cable gland can be fitted.



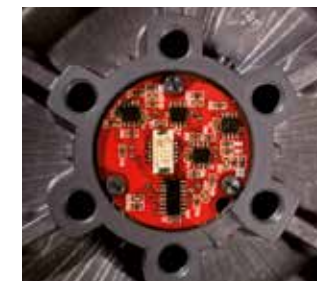
Sabik Easy Programmer
User friendly and compact wireless two-way programmer.



PDA Programmer
Wireless two-way communication using a Windows based PDA with infra red port. Flash code, range and photocell switch level etc. can be set. The Programmer can also retrieve the Event Log. No need to open the lantern on a normal service call.

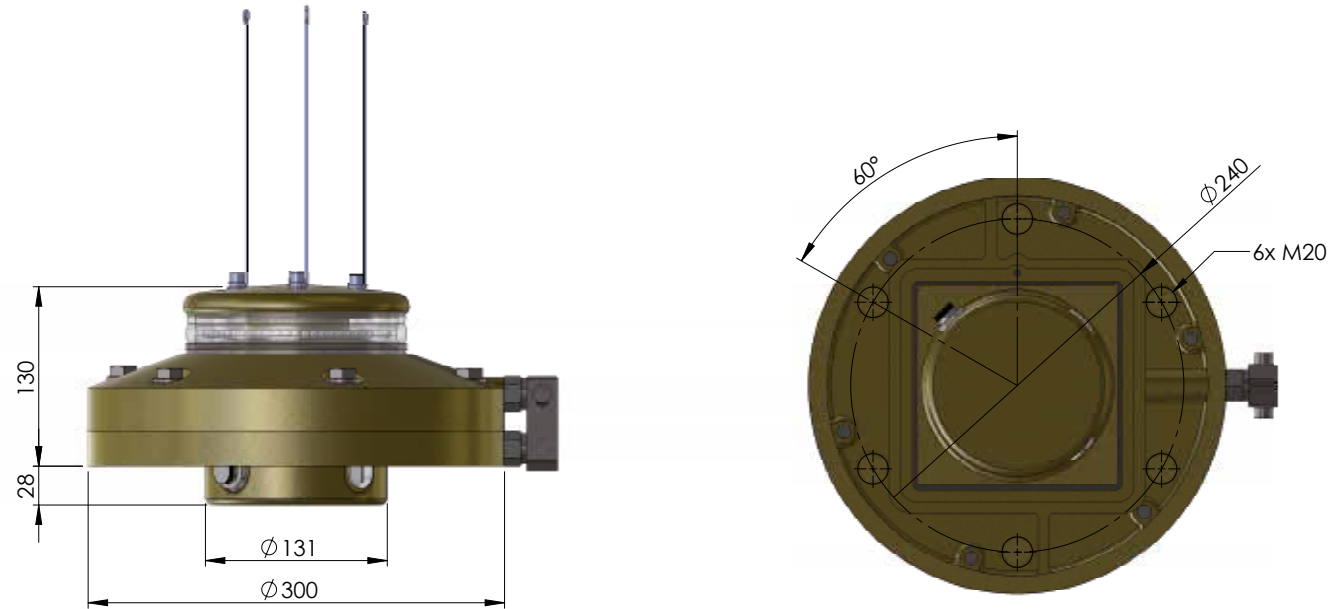


Installation
The lantern is integrated with the buoy top for maximum support against lateral forces.



OFBS
The Optical Feedback System (OFBS) enables built-in monitoring of LED degradation over time.

Technical Specification MPV LED



Optical performance

Maximum fixed intensity				
At full power 6 W	120 cd	180 cd	250 cd	100 cd

Main Technical Specification

Lens visual/Mechanical diameter	160 mm
Lens material	UV stabilized Polycarbonate
Light source	Light Emitting Diodes (LEDs)
Vertical divergence (wide lens)	10° @ 50% (±1°) of peak intensity 20° @ 10% (±2°) of peak intensity
Unit lifetime	Up to 10 years
Weight	25 kg
Temperature range	-40°...+60°C
Supply Voltage	9 – 30 VDC
Solar Panel Charger	16 ampere PWM charger
Power consumption	6 watts
Degree of protection	IP 68

Order Overview MPV LED

Option matrix

LightGuard GSM	Integrated GSM based monitoring including GSM antenna
LightGuard GSM + GPS	Integrated GSM based monitoring including GSM/GPS antennas
GPS sync	Integrated GPS sync only unit including GPS antenna in lantern top
Optical Feedback System	Integrated LED performance measurement
Shock & Tilt Sensor	Integrated 3-axis G sensor for tilt and shock sensing Tilt switch function switches off lantern when under ice or when in storage

Complete		Without lower flange	
Red	980136SMC	Red	911930SMC
Yellow	980139SMC	Yellow	911935SMC
Green	980137SMC	Green	911940SMC
White	980138SMC	White	911950SMC

Lens Configuration	Feature options (several can be selected)
N = Narrow (6° @ 50 % of peak intensity)	1: Optical Feedback System (OFBS)
W = Wide (10° @ 50 % of peak intensity)	4: GPS sync including integrated GPS antenna
	7: External GPS antenna
H = with hinge	9: LightGuard GSM + GPS (Integrated antennas included)
J = without hinge	10: LightGuard GSM (integrated antennas included)

Product code example: 980136SMC-W-9

- **980136** is Sabik code for a complete MPV LED Red
- **W** is the code for a wide lens
- **9** indicates that option 1 LightGuard GSM + GPS is chosen

