

M550

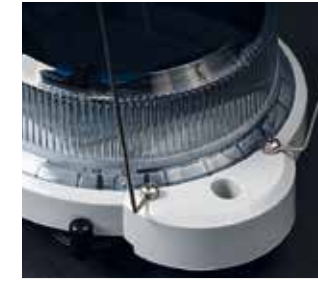
Solar Powered LED Marine Lantern 1 to 3 NM Range

Leveraging custom optics, high-efficiency solar panels, and premium materials, this miniature solar LED marine lantern offers up to three times the range at half the size of its M502 predecessor. Now with replaceable, recyclable batteries this lantern provides excellent value and reliable operation over the long term. Battery life expectancy is five years with product life up to 15 years and a three-year warranty. Ideal for marine aids-to-navigation, marina lighting, dock lighting, and port lighting.

- Up to 3 NM range
- 40 user-adjustable flash patterns and programmable intensities
- Replaceable, recyclable, high-temperature-rated NiMH AA batteries
- Automatic Light Control (ALC) 2.0; achieve optimal intensities throughout the year
- Premium grade, UV resistant polycarbonate body and lens material
- IP 68 rated
- Ventilated battery compartment



Solar Modules
High-efficiency cells embedded in shatterproof polyurethane.



Bird Deterrent
Stainless steel bird deterrent available as accessory. Fits up to four per lantern.



Installation
Simple installation using 2 x M6 bolts on a 127 mm radius. No additional mounting hardware required.



Pole Mount
Easily adjusts to 2 3/8 or 1 7/8 pole dimensions.



Batteries
Replaceable and recyclable NiMH batteries with extreme temperature range and 5-year life expectancy.

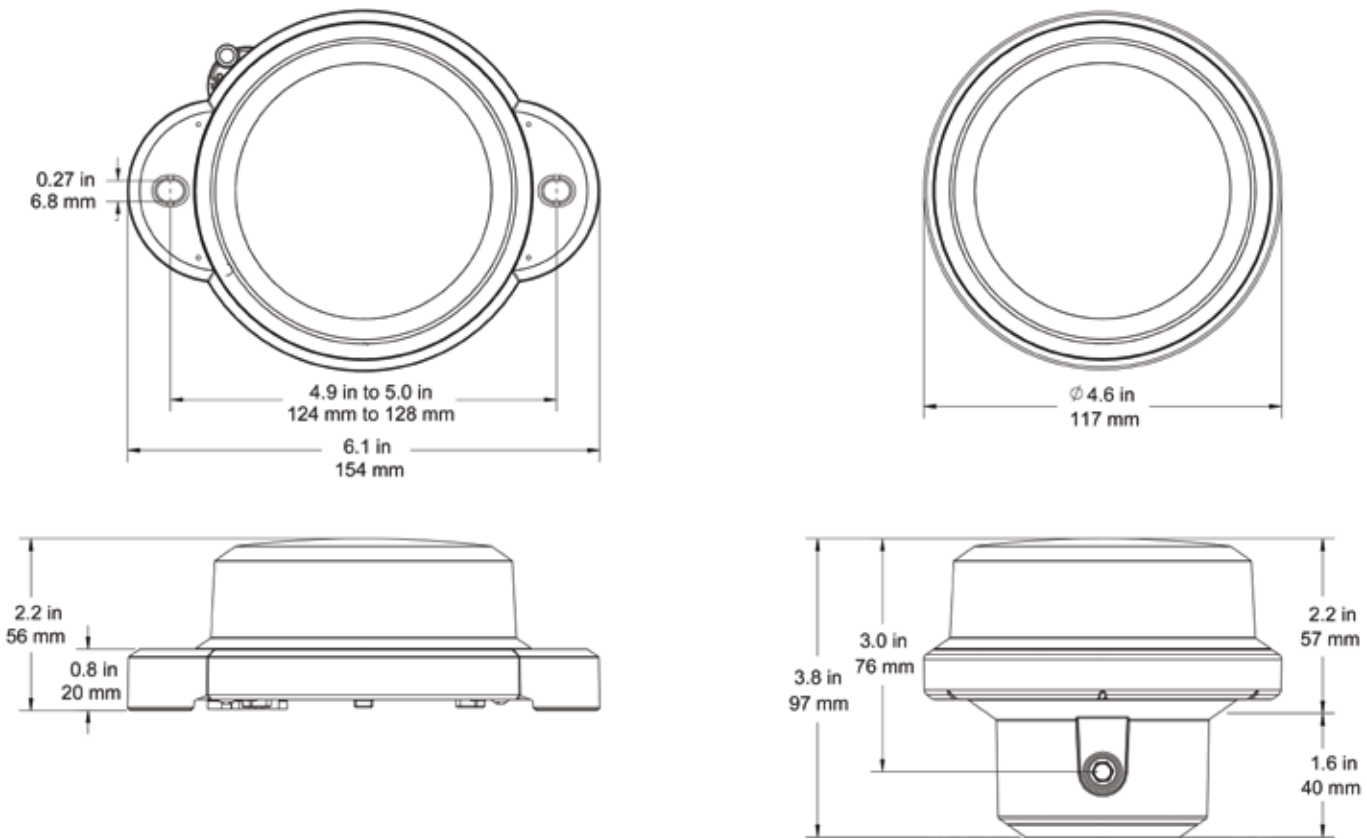


IR Controller
Check battery status, change flash code, adjust light intensity and turn lantern off with optional mini IR (Infrared) programmer.



External Switch
Optional external ON/OFF switch.

Technical Specification M550



Optical performance

Maximum fixed intensity

17 cd 21 cd 26 cd 24 cd 8 cd

NOTE: Peak IALA intensity dependent on location. Table based on equatorial location of 12-hour night duration and 12.5% duty cycle flash code.

Main Technical Specification

Construction	Premium grade, UV resistant polycarbonate lens/head and polycarbonate/polysiloxane co-polymer base.
Lens visual/Mechanical diameter	102 mm
Lens material	UV stabilized Polycarbonate
Light source	High Flux Surface Mount LED
Solar module	High efficiency cells
Battery	NiMH AA batteries
Degree of ingress protection	IP 68
Weight	Flange Mount: 0.37 kg (0.8 lbs), Pole Mount: 0.40 kg(0.9 lbs)
Overall height	56 mm (flange mount), 96 mm (pole mount)
Overall width	155 mm dia.
Installation	2 x M6 on 128 mm dia.

Order Overview M550

Option matrix

M550 Flange Mount - Switched	2-bolt mount with ON/OFF switch
M550 Flange Mount - Unswitched	2-bolt mount. No ON/OFF switch
M550 Pole Mount	Pole mount. No ON/OFF switch

Accessories

69935	Pole Mount Replacement/Conversion Kit
70943	Flange Mount Replacement/Conversion Kit
70937	Switched Kit (compatible with Flange Mount only)
70955	Replacement NiMH batteries
69934	Bird Deterred (single)