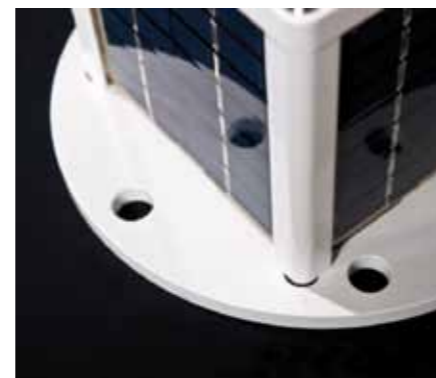
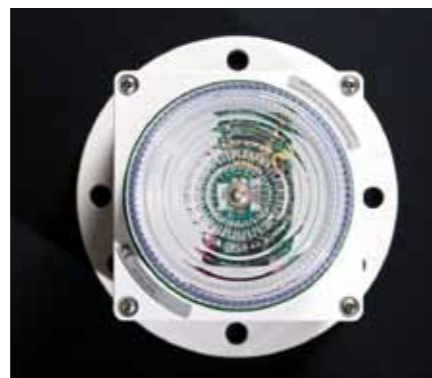


## M701-5

### Self Powered LED light for applications up to 4 NM

The M701-5 is a self-contained, high-performance, low-maintenance and easy-to-install solar LED marine lantern. All components are incorporated within a compact, stand-alone unit. The M701-5 also features a replaceable battery pack that extends the service life beyond five years, reducing the total cost of ownership. Applications include: marine aids-to-navigation marking, marina lighting, channel and canal marking, and port lighting.

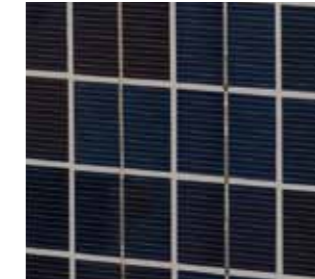
- Up to 4 NM Range at Tc=0,74 (5 at Tc=0,85).
- Standard IALA colours Red, Green, White, Yellow
- Premium grade UV-resistant, polycarbonate lens material
- Powder-coated aluminium body
- Designed to IP 68
- SLA battery
- Ventilated battery compartment
- Adjustable intensity and range
- Vertical divergence 7° (FWHM)
- Programmable with IR-Programmer
- Optionally integrated GPS synchronization



**Bird Deterrent**  
Stainless steel available as accessory.



**Optical Assembly**  
The lens is injection-moulded UV-resistant polycarbonate crowned with a solar module embedded in shatterproof polyurethane.



**Solar Modules**  
High-efficiency cells embedded in shatterproof polyurethane, protected by rugged powder-coated aluminium extrusion.



**SLA Battery**  
Replaceable and recyclable, maintenance free, best-in-class battery pack with extreme temperature range and 5-year life expectancy.

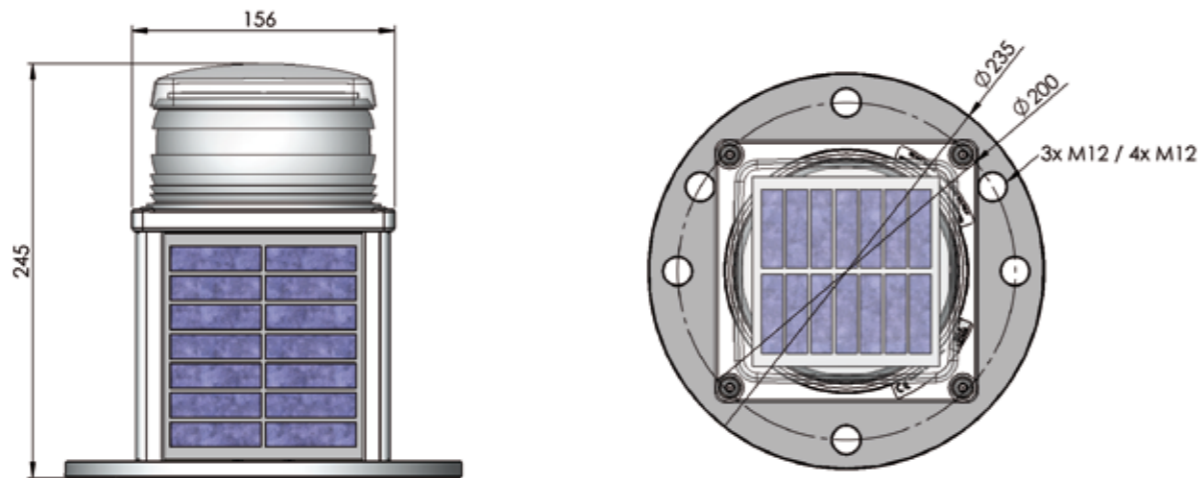


**IR Controller**  
Check battery state of charge, configure flash code, adjust intensity and sensitivity settings, set lantern to off/sleep with optional wireless controller.



**Installation**  
The bottom plate of the M701-5 is machined powder-coated aluminium. It supports installation on structure using 3 x M12 bolts, 4 x M12 bolts, or 5 x M12 bolts on a 200 mm radius. Standard and security bolt kits are available.

## Technical Specification M701-5



### Optical performance

Maximum fixed intensity				
M 701-5	33 cd	46 cd	35 cd	19 cd

NOTE: Peak IALA intensity dependant on location.

### Main Technical Specification

<b>Lens visual/Mechanical diameter</b>	132 mm
<b>Lens material</b>	UV stabilized Polycarbonate
<b>Light source</b>	High Power Light Emitting Diode (LED)
<b>Vertical divergence</b>	7° (FWHM)
<b>Solar modules</b>	High Efficiency Cells
<b>Battery</b>	Sealed Lead Acid
<b>Degree of ingress protection</b>	Designed to IP 68
<b>Weight</b>	7.75 Kg
<b>Overall height</b>	245 mm
<b>Overall width</b>	235 mm dia.
<b>Installation</b>	3, 4, or 5 x M12 on 200 mm dia.

## Order Overview M701-5

### Option matrix

<b>M701-5 GPS</b>	GPS
<b>M701-5</b>	No GPS
<b>700 Series Mounting Plate</b>	36339
<b>700 Security Bolt Kit</b>	53291
<b>700 Security Key</b>	53288
<b>700 Security Socket</b>	53289
<b>700 Standard Bolt Kit</b>	38339
<b>Infrared Programmer for M650 and M700 Series</b>	62556
<b>701-5 Battery Replacement Kit (includes battery pack, replacement foam inserts &amp; hardware kit)</b>	61873
<b>701-5 Head Replacement Kit (includes lantern head, replacement gasket &amp; hardware kit)</b>	Inquire
<b>701-5 GPS Head Replacement Kit (includes lantern head, replacement gasket &amp; hardware kit)</b>	Inquire

M701-5		M701-5 with GPS	
Red	58296	Red	60740
Green	58297	Green	60741
White	58295	White	60739
Yellow	58294	Yellow	60738