

M702-5

Self Powered LED light for applications up to 4 NM

The M702-5 is a self-contained, high-performance, low-maintenance and easy-to-install solar LED marine lantern. All components are incorporated within a compact, stand-alone unit. The M702-5 also features a replaceable battery pack that extends the service life beyond five years, reducing the total cost of ownership. Applications include: marine aids-to-navigation marking, marina lighting, channel and canal marking, and port lighting.

- Up to 4 NM Range at Tc=0,74 (5 at Tc=0,85)
- Standard IALA colours Red, Green, White, Yellow
- Premium grade UV-resistant, polycarbonate lens material
- Powder-coated aluminium body
- IP 68 rated
- SLA battery
- Ventilated battery compartment
- Adjustable intensity and range
- Vertical divergence 7° (FWHM)
- Programmable with IR-Programmer
- Optionally integrated GPS synchronization



Bird Deterrent
Stainless steel available as accessory.



Optical Assembly
The lens is injection-moulded UV-resistant polycarbonate crowned with a solar module embedded in shatterproof polyurethane.



Solar Modules
High-efficiency cells embedded in shatterproof polyurethane, protected by rugged powder-coated aluminium extrusion.



SLA Battery
Replaceable and recyclable, maintenance free, best-in-class battery pack with extreme temperature range and 5-year life expectancy.

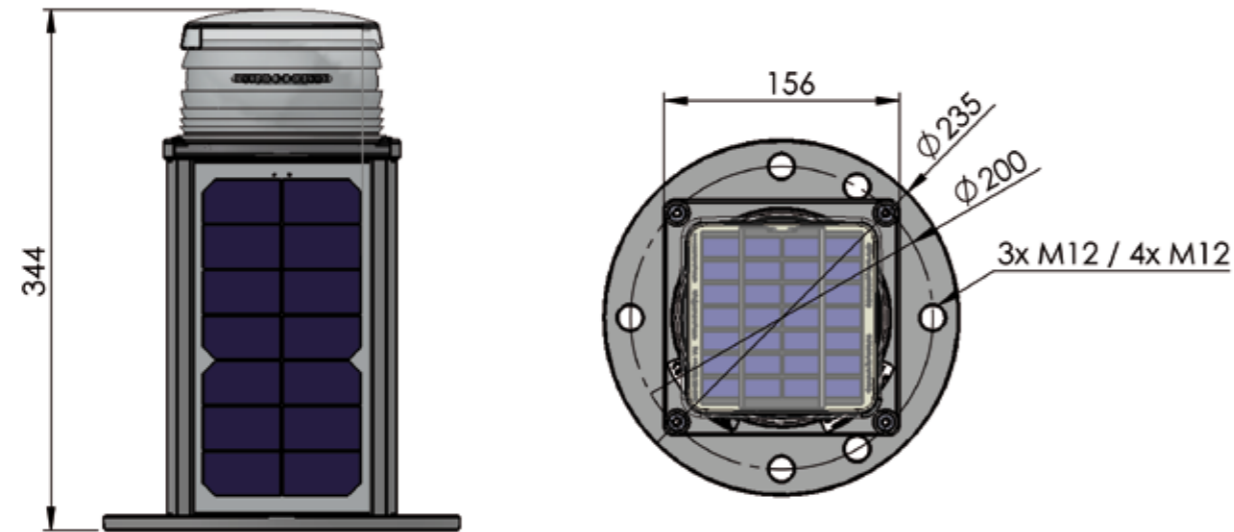


IR Controller
Check battery state of charge, configure flash code, adjust intensity and sensitivity settings, set lantern to off/sleep with optional wireless controller.



Installation
The bottom plate of the M701-5 is machined powder-coated aluminium. It supports installation on structure using 3 x M12 bolts, 4 x M12 bolts, or 5 x M12 bolts on a 200 mm radius. Standard and security bolt kits are available.

Technical Specification M702-5



Optical performance

Maximum fixed intensity				
M702-5	33 cd	46 cd	35 cd	19 cd

NOTE: Peak IALA intensity dependant on location.

Main Technical Specification

Lens visual/Mechanical diameter	132 mm
Lens material	UV stabilized Polycarbonate
Light source	High Power Light Emitting Diode (LED)
Vertical divergence	7° (FWHM)
Solar modules	High Efficiency Cells
Battery	Sealed Lead Acid
Degree of ingress protection	IP 67
Weight	7.75 kg
Overall height	344 mm
Overall width	235 mm dia.
Installation	3, 4, or 5 x M12 on 200 mm dia.

Order Overview M702-5

Option matrix

M702-5 GPS	GPS
M702-5	No GPS
700 Series Mounting Plate	36339
700 Security Bolt Kit	53291
700 Security Key	53288
700 Security Socket	53289
700 Standard Bolt Kit	38339
Infrared Programmer for M650 and M700 Series	62556
702-5 Battery Replacement Kit (includes battery pack, replacement foam inserts & hardware kit)	61873
702-5 Head Replacement Kit (includes lantern head, replacement gasket & hardware kit)	Inquire
702-5 GPS Head Replacement Kit (includes lantern head, replacement gasket & hardware kit)	Inquire

M702-5		M702-5 with GPS	
Red	58296	Red	60740
Green	58297	Green	60741
White	58295	White	60739
Yellow	58294	Yellow	60738