

M704-5

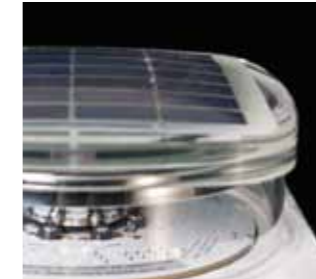
Self Powered LED light for applications up to 5 NM

The M704-5 is a self-contained, high-performance, low-maintenance and easy-to-install solar LED marine lantern. All components are incorporated within a compact, stand-alone unit. The M704-5 also features a replaceable battery pack that extends the service life beyond five years, reducing the total cost of ownership. Applications include: marine aids-to-navigation marking, marina lighting, channel and canal marking, and port lighting.

- Up to 5 NM Range at $T_c=0,74$ (6 at $T_c=0,85$). Three range settings; Low, Medium, High.
- Standard IALA colours Red, Green, White, Yellow
- Premium grade UV-resistant, polycarbonate lens material
- Powder-coated aluminium body
- IP 68 rated
- SLA battery
- Ventilated battery compartment
- Adjustable intensity and range
- Vertical divergence $> 10^\circ$ (FWHM)
- Programmable with IR-Programmer
- Optionally integrated GPS synchronization



Bird Deterrent
Stainless steel available as accessory.



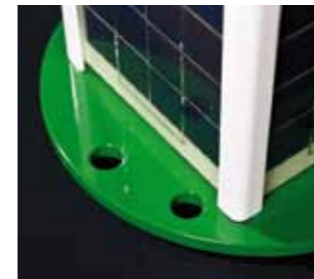
Optical Assembly
Wide vertical divergence and a lens with a smooth exterior surface that stays cleaner than a traditional fresnel lens. The lens is injection-moulded UV-resistant polycarbonate crowned with a solar module embedded in shatterproof polyurethane.



Solar Modules
High-efficiency cells embedded in shatterproof polyurethane, protected by rugged powder-coated aluminium extrusion.



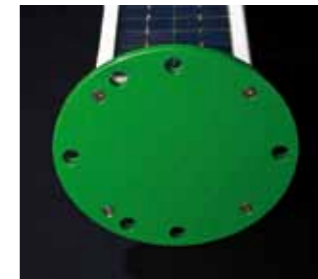
SLA Battery
Replaceable and recyclable, maintenance free, best-in-class battery pack with extreme temperature range and 5-year life expectancy.



Visible Colour Indicator
LED colour is clearly indicated by the colour of the lantern base plate.

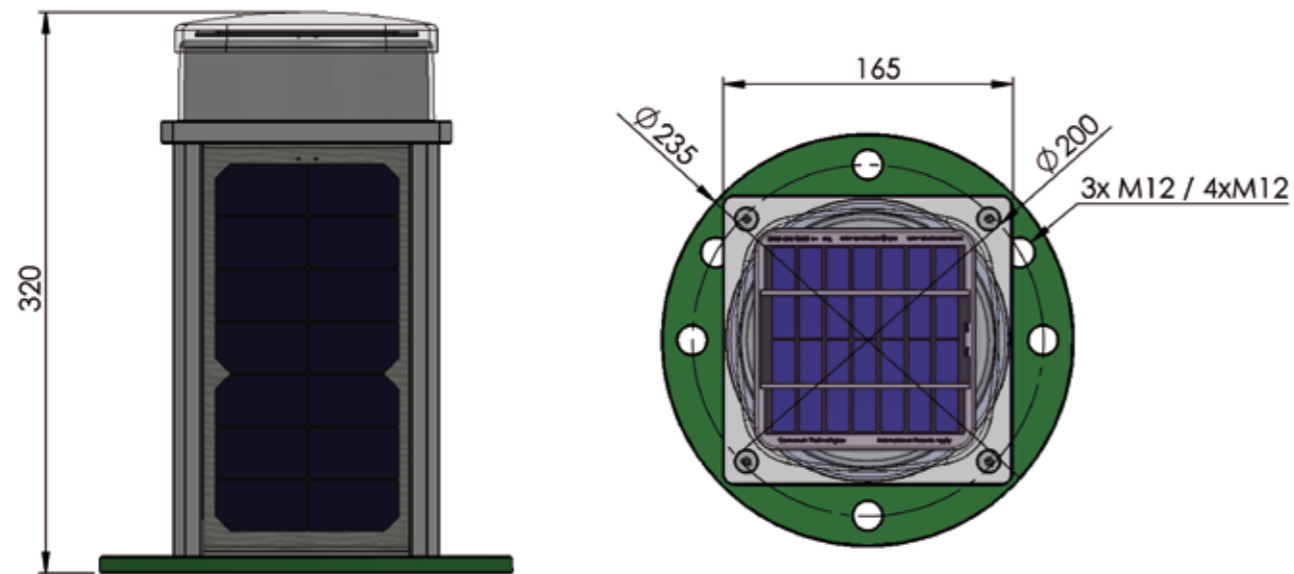


IR controller
Check battery state of charge, configure flash code, adjust intensity and sensitivity settings, set lantern to off/sleep with optional wireless controller.



Installation
The bottom plate of the M704-5 is machined powder-coated aluminium. It supports installation on structure using 3 x M12 bolts, 4 x M12 bolts, or 5 x M12 bolts on a 200 mm radius. Standard and security bolt kits are available.

Technical Specification M704-5



Optical performance

Maximum fixed intensity				
M704-5	76 cd	135 cd	155 cd	92 cd

NOTE: Peak IALA intensity dependant on location. Based on 0.3 second flash duration.

Main Technical Specification

Lens visual/Mechanical diameter	152 mm
Lens material	UV stabilized Polycarbonate
Light source	High Power Light Emitting Diode (LED)
Vertical divergence	10° (FWHM)
Solar modules	High Efficiency Cells
Battery	Sealed Lead Acid
Degree of ingress protection	IP 68
Weight	11.75 Kg
Overall height	320 mm
Overall width	235 mm dia.
Installation	3, 4, or 5 x M12 on 200 mm dia.

Order Overview M704-5

Option matrix

M704-5 GPS	GPS
M704-5	No GPS
700 Security Bolt Kit	53291
700 Security Key	53288
700 Security Socket	53289
700 Standard Bolt Kit	38339
Infrared Programmer for M650 and M700 Series	62556
704/708 Battery Replacement Kit (includes battery pack, replacement gasket & hardware kit)	61087
704/708 Head Replacement Kit (includes lantern head, replacement gasket & hardware kit)	Inquire
704/708 GPS Head Replacement Kit (includes lantern head, replacement gasket & hardware kit)	Inquire

M704-5		M704-5 with GPS	
Red	58664	Red	58670
Green	58668	Green	58673
White	58665	White	58671
Yellow	58666	Yellow	58672