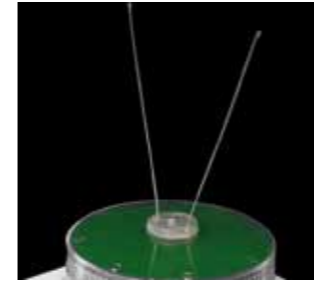


M708

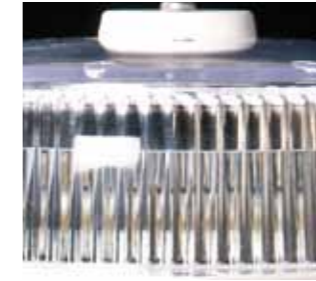
Self Powered LED light for applications up to 6 NM

The M708 is a self-contained, high-performance, low-maintenance and easy-to-install solar LED marine lantern. All components are incorporated within a compact, stand-alone unit. The M708 also features a replaceable battery pack that extends the service life beyond five years, reducing the total cost of ownership. Applications include: marine aids-to-navigation marking, marina lighting, channel and canal marking, and port lighting.

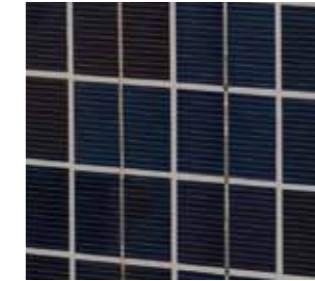
- Up to 6 NM Range at $T_c=0,74$ (7 at $T_c=0,85$). Three range settings; Low, Medium, High
- Standard IALA colours Red, Green, White, Yellow
- Premium grade UV -resistant, polycarbonate lens material
- Powder-coated aluminium body
- IP 68 rated
- SLA battery
- Ventilated battery compartment
- Adjustable intensity and range
- Vertical divergence $> 8^\circ$ (FWHM)
- Programmable with IR-Programmer
- Optionally integrated GPS synchronization



Bird Deterrent
Stainless steel
(installation optional)



Optical lens
The smooth exterior surface of the M708 lens stays cleaner than a traditional fresnel lens. The lens is injection-moulded UV-resistant polycarbonate.



Solar Modules
High-eciency cells embedded in shatterproof polyurethane, protected by rugged powder-coated aluminium extrusion.



SLA Battery
Replaceable and recyclable, maintenance free, best-in-class battery pack with extreme temperature range and 5-year life expectancy.



Visible Colour Indicator
LED colour is clearly indicated by the colour indicator inside the optical assembly. (White LED colour shown)

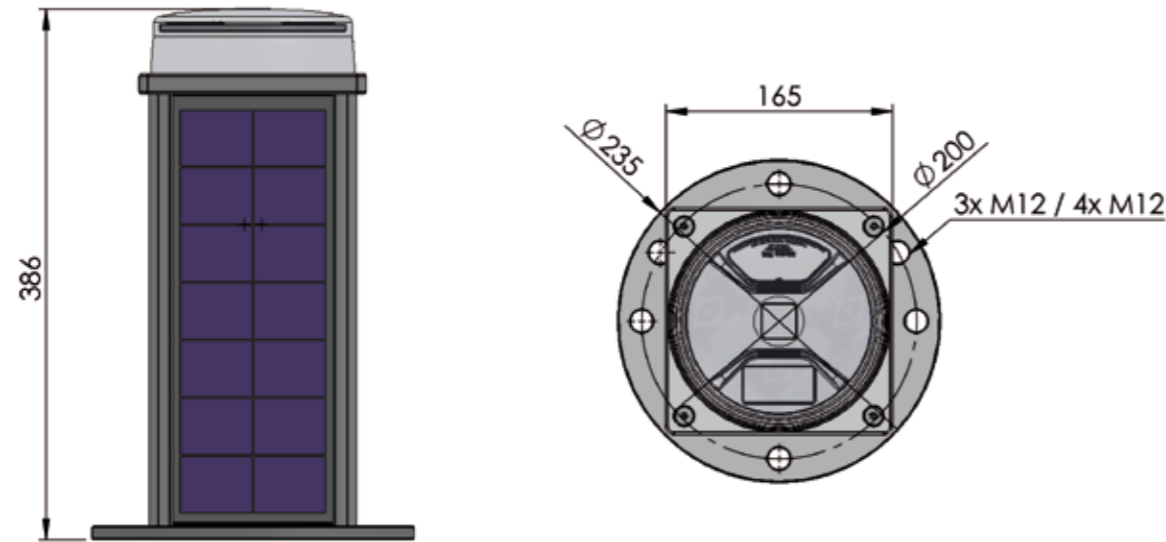


IR controller
Check battery state of charge, configure flash code, change range settings, set lantern to off/sleep with optional wireless controller.



Installation
The bottom plate of the M708 is machined powder-coated aluminium. It supports installation on structure using 3 x M12 bolts or 4 x M12 bolts on a 200 mm radius. Standard and security bolt kits are available.

Technical Specification M708



Optical performance

Maximum fixed intensity				
M708	148 cd	199 cd	268 cd	145 cd

NOTE: Peak IALA intensity dependant on location. Based on 0.3 second flash duration.

Main Technical Specification

Lens visual/Mechanical diameter	149 mm
Lens material	UV stabilized Polycarbonate
Light source	Light Emitting Diodes (LED)
Vertical divergence	>8° (FWHM)
Solar modules	High Efficiency Cells
Battery	Sealed Lead Acid
Degree of ingress protection	IP 68
Weight	11.88 Kg
Overall height	386 mm
Overall width	235 mm dia.
Installation	3 or 4 x M12 on 200 mm dia.

Order Overview M708

Option matrix

M708 GPS	GPS
M708	No GPS
700 Security Bolt Kit	53291
700 Security Key	53288
700 Security Socket	53289
700 Standard Bolt Kit	38339
Infrared Programmer for M650 and M700 Series	62556
704/708 Battery Replacement Kit (includes battery pack, replacement gasket & hardware kit)	61087
704/708 Head Replacement Kit (includes lantern head, replacement gasket & hardware kit)	Inquire
704/708 GPS Head Replacement Kit (includes lantern head, replacement gasket & hardware kit)	Inquire

M708		M708 with GPS	
Red	57020	Red	57025
Green	57022	Green	57027
White	57024	White	57029
Yellow	57023	Yellow	57028