

## M860

### Solar Powered LED Marine Lantern from 4 to 7+ NM Range

With a durable, large-format solar engine, the M860 is engineered for consistent, reliable performance at remote installations and in challenging insolation locations. This is a premium and full-featured lantern that is suitable for achieving longer ranges in challenging insolation locations. The M860 offers up to 475 CD (IALA Peak, white) and over 7 NM range.

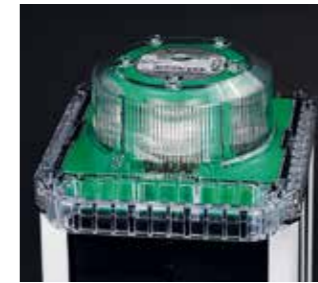
- Option for standard or wide divergences (for fixed or floating applications)
- Multiple cost-effective battery pack options suitable for a wide variety of installation locations
- Up to 7.8 NM range at T=0.74 (8° FWHM)
- Up to 10.8 NM Range at T=0.85 (8° FWHM)
- Built-in calendar function for automatic de-activation during off-season months
- Top-mounted 4-character LED display with simple »tap to activate functionality«
- Premium grade, UV resistant polycarbonate lens material
- Environmentally friendly, super durable powdercoated aluminum chassis
- Adjustable intensity and range
- IP 68 rated
- GPS synchronized flash option
- Remote monitoring options available



**Top-mounted display**  
Easily check light settings with a »tap-to-activate« digital display.



**Infrared programmer**  
Check battery state of charge, program flash codes, set intensities and more.



**Optical Assembly**  
Durable, UV resistant optical lens with options for standard (8°) or wide (10°) divergence.



**Scalable Battery Pack**  
Multiple replaceable, recyclable battery pack options for reliable, cost-effective performance in a variety of installation locations.



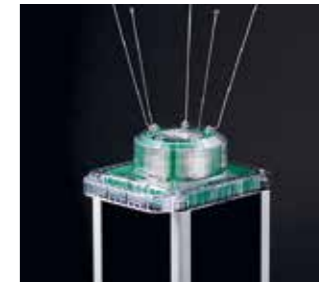
**Visible Colour Indicator**  
LED colour is clearly indicated by the colour of the lantern head.



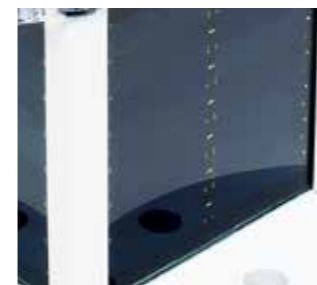
**External Charge Port**  
Optional charge port in the lantern base allows for easy overnight charging via wall plug.



**Installation**  
Supports installation on structure using 3 x M12 bolts, 4 M12 bolts, or 5 x M12 bolts on a 200 mm radius. Standard and security bolt kits are available.

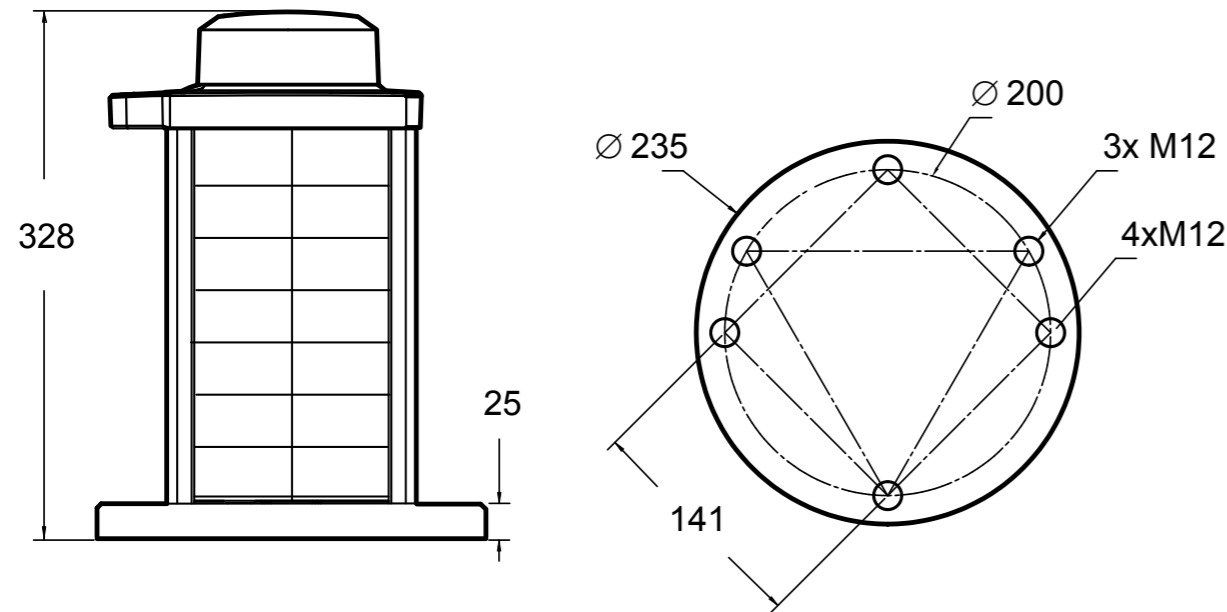


**Bird Deterrent**  
Optional stainless steel bird deterrent. Five deterrents supplied with option for up to ten per lantern.



**Solar Modules**  
High efficiency cells protected by rugged powder-coated aluminium extrusion.

## Technical Specification M860



### Optical performance

Maximum fixed intensity				
M860	271 cd	362 cd	475 cd	387 cd

NOTE: Peak IALA intensity dependent on location. Table based on equatorial location of 12-hour night duration and 12.5% duty cycle flash code.

### Main Technical Specification

Lens visual/Mechanical diameter	111 mm
Construction	Premium grade, UV resistant polycarbonate lens/head and polycarbonate/polysiloxane co-polymer base
Light source	High Flux Surface Mount LEDs with colour-specific temperature-corrected LED driver
Solar modules	High-efficiency cells; MPPT
Battery	Multiple replaceable, recyclable battery options (refer to options matrix)
Degree of ingress protection	IP 68 immersion
Weight	6.4 kg M860 96E 10.2 kg M860 200BC
Overall height	328 mm
Overall width	235 mm dia.
Installation	3, 4 or 5 x M12 on 200 mm dia.

## Order Overview M860

### Option matrix

Model	Colour Options	Battery	Lens	Control	Charge Port
M860	Red	96E	Standard (8°)	GPS Sync	With External Chargeport
	White				
	Green	200BC	Wide (10°)	Non-GPS Sync	Without External Chargeport
	Yellow				

### Accessories

71757	M800 Series Standard Bolt Kit
71884	M800 Series Security Bolt Kit (drivers not included)
53288	M800 Series Security Key
53289	M800 Series Security Socket
69885	M800 Series AC/DC 12V-2.5A Charger, International Plug Adapters
69907	M800 Series Bird Deterrent Kit (5 spikes)
BATTERY KIT 96E	M800 Series Battery Replacement Kit - 96 Wh
BATTERY KIT 200BC	M800 Series Battery Replacement Kit - 200 Wh
HEAD KIT	M800 Series Head Replacement Kit (please specify colour at time of order)
HEAD KIT GPS	M800 Series GPS Head Replacement Kit (please specify colour at time of order)
69899	Remote Control