

## SC 110

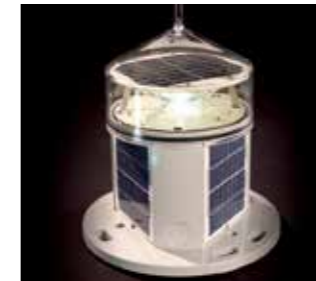
Marine Self contained LED light for buoys, beacons, marinas and aquaculture farms

SC 110 is a durable short range LED lantern produced of polycarbonate with an integrated solar power system. As standard the lantern is delivered with a high quality Lithium Ion battery. It has more than 6 years lifetime. The lantern is available in 2 and 3 nm versions.

- Range up to 3 nm (Tc = 0.74)  
4,5 nm (Tc = 0.85)
- Standard IALA colours Red, Green, White, Yellow
- Produced of durable polycarbonate plastic
- Available with Lithium-ion (LiFePO4) or NiMH batteries
- Internal calendar, light can be switched off for winter
- Adjustable intensity and range
- Vertical divergence 8° @ 50% (±1°) of peak intensity
- Programming with a wireless Sabik Easy Programmer, PDA Programmer or with PC/USB interface
- Integrated event log (Black box function) for 365 days
- The lantern is delivered in sleep mode. It automatically wakes up when unpacked and light is detected
- Optionally integrated GPS synchronization
- Optionally integrated GSM remote monitoring



**Lens**  
Bird deterred top design.



**Solar panels**  
Optionally 1(2nm) or 4 (3nm) solar panels.



**Battery**  
Optionally NiMH or LiFePO<sub>4</sub> batteries.



**PDA Programmer**  
Wireless two-way communication using a Windows based PDA programmer.



**Programming with PC**  
Using Sabik USB interface.



**Storage charging**  
With external charger.



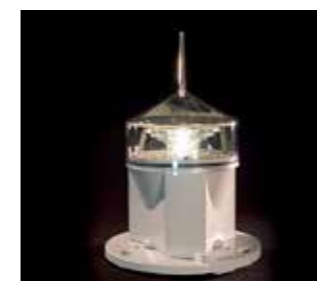
**Installation**  
The bottom plate of the SC 110 supports installation on structure using 3 or 4 x M12 on a 200 mm radius or 3 x M8 on a 150 mm radius.



**PTFE breathing**  
Vent for pressure release in the bottom of the product.



**Sabik Easy Programmer**  
User friendly and compact wireless two-way programmer.



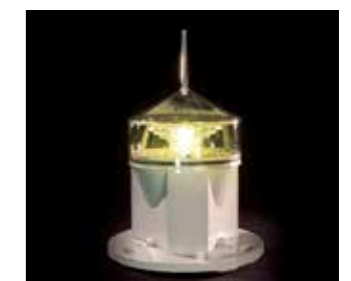
White



Red

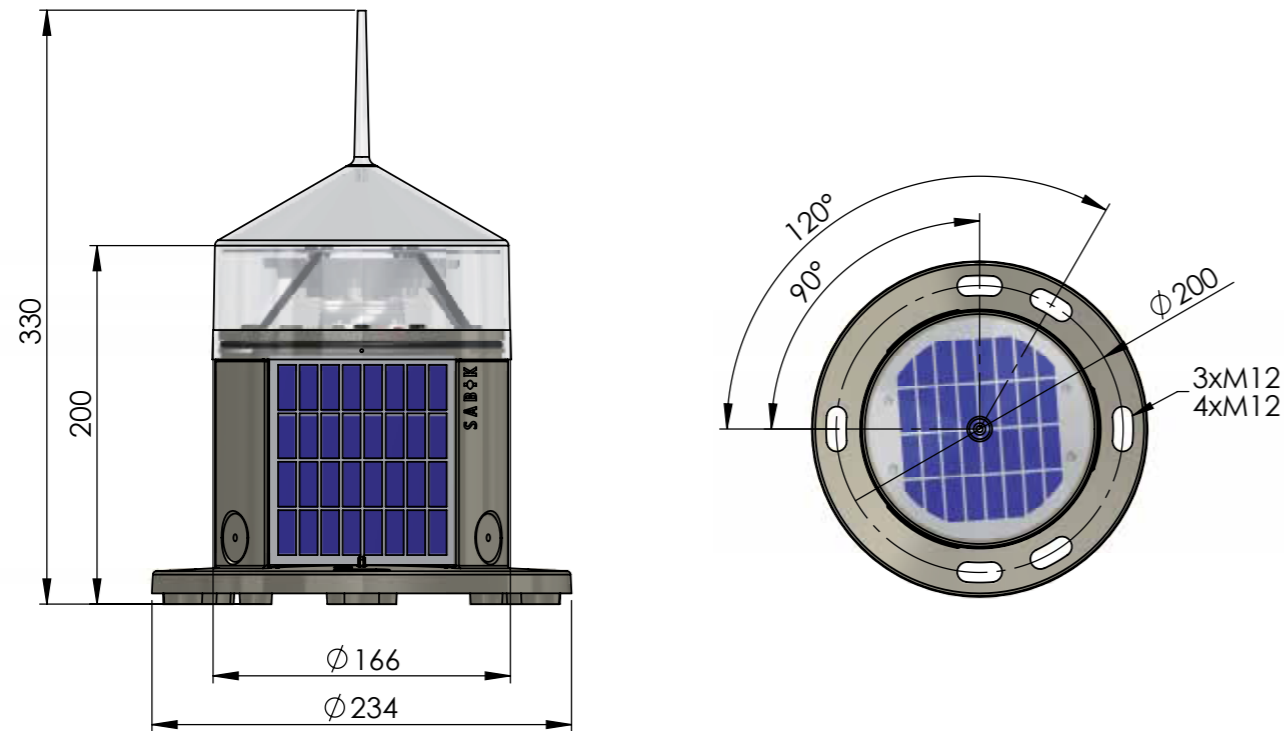


Green



Yellow

## Technical Specification SC 110



### Optical performance

#### Maximum fixed intensity

SC 110 2 nm	10 cd	10 cd	10 cd	10 cd
SC 110 3 nm	30 cd	30 cd	30 cd	30 cd

### Main Technical Specification

	2 Nautical miles	3 Nautical miles
Lens visual/Mechanical diameter	166 mm	
Lens material	UV stabilized Polycarbonate	
Light source	High Power Light Emitting Diode (LED)	
Vertical divergence	8° @ 50% (±1°) of peak intensity	
Unit lifetime	Up to 10 years	
Weight	2,5 kg	4,2 kg
Controller	Sabik SMC flasher	
Temperature range	-40°...+60°C	
Degree of protection	IP 67	
Battery Voltage NiMH	6,0 VDC	
Battery Voltage LiFePO <sub>4</sub>	6,4 VDC	
Battery capacity NiMH	8,6 Ah	26 Ah
Battery capacity LiFePO <sub>4</sub>	7,5 Ah	22,5 Ah
Solar power	1,5W	4,5W

## Order Overview SC 110

### Option matrix

LightGuard GSM	Integrated GSM based monitoring with GSM antenna
LightGuard GSM + GPS	Integrated GSM based monitoring with GSM/GPS antennas
GPS sync	Integrated GPS sync only unit with GPS antenna
Optical Feedback System	Integrated LED performance measurement
Shock & Tilt Sensor	Integrated 3-axis G sensor for tilt and shock sensing

### Product codes

SCN 110 2 nm self contained with NiMH battery	SCL 110 2 nm self contained with LiFePO <sub>4</sub> battery	Colour
SCN 110.2 WW	SCL 110.2 WW	white
SCN 110.2 WR	SCL 110.2 WR	red
SCN 110.2 WG	SCL 110.2 WG	green
SCN 110.2 WY	SCL 110.2 WY	yellow

SCN 110 3 nm self contained with NiMH battery	SCL 110 3 nm self contained with LiFePO <sub>4</sub> battery	Colour
SCN 110.3 WW	SCL 110.3 WW	white
SCN 110.3 WR	SCL 110.3 WR	red
SCN 110.3 WG	SCL 110.3 WG	green
SCN 110.3 WY	SCL 110.3 WY	yellow